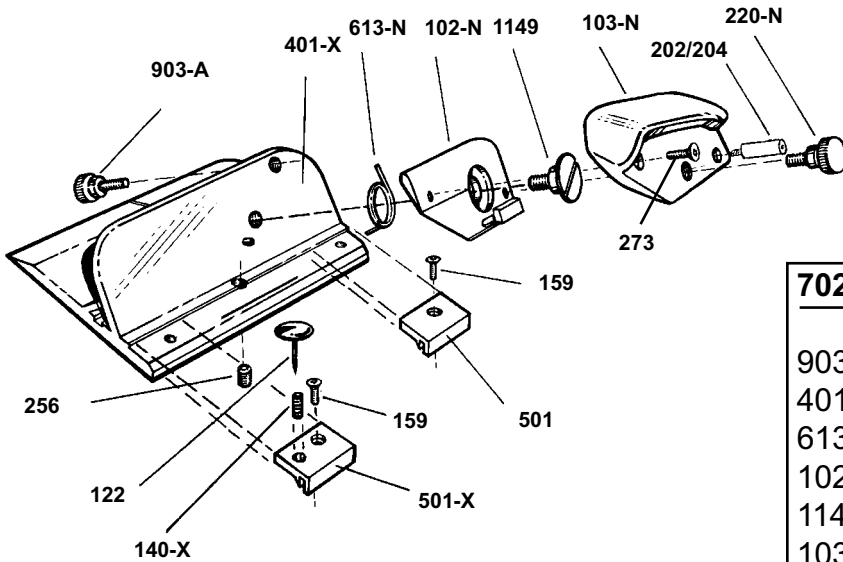


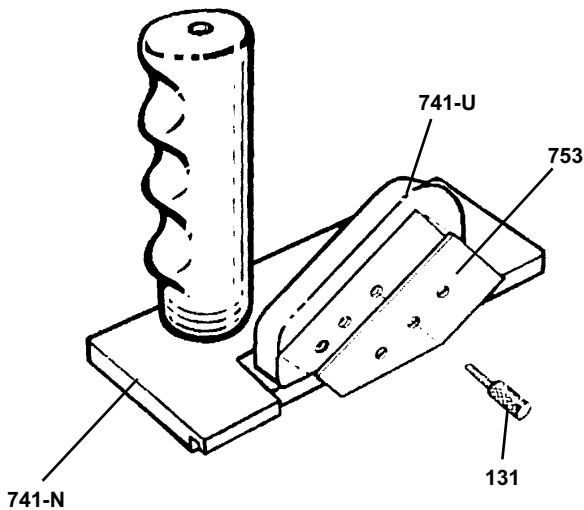
Parts List

A. Cutting Heads



702 Bevel Cutting Head

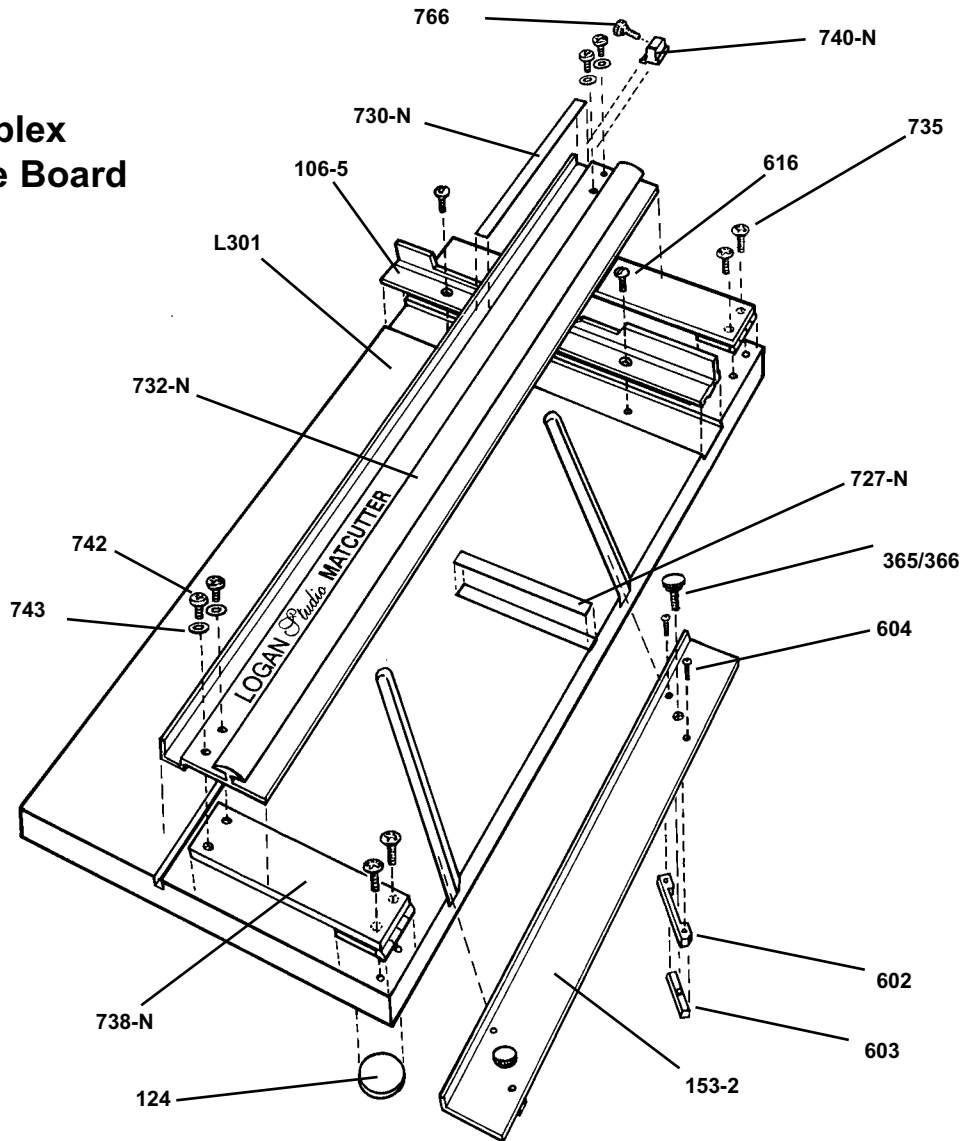
903-A	retaining screw
401-X	cutting head base
613-N	torsion spring
102-N	bevel blade holder
1149	shoulder screw
103-N	bevel blade cover
273	blade cover screw
220-N	blade holding screw
501	bearing
501-X	bearing
140-X	spring
122	anti-crawl pin
256	blade depth screw
159	bearing screw (2)
202/204	knob screw



701 Straight Cutting Head

741-U	upright base
753	blade cover
131	knurled screw
741-N	straight cut base

#700-S Simplex Studio Base Board



#700-S Simplex Studio Base Board	
106-5	Squaring Arm
153-2	Mat Guide
124	Rubber feet
301	Base Board
365/366	Mat Guide Screws x 2
602	Slide x 2
603	Wedge x 2
604	Screws x 4
616	Squaring Arm Screws
727-N	Mat Guide Scale
730-N	Guide Rail Scale
732-N	Guide Rail
735	Screw x 6
738-N	Hinge x 2
740-N	Stop
742	Screws x 4
743	Washers x 4
766	Knob