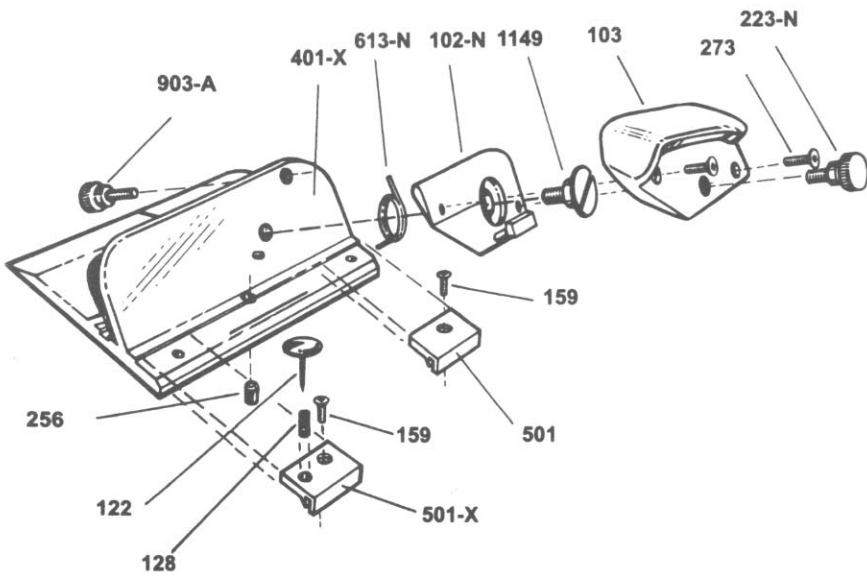


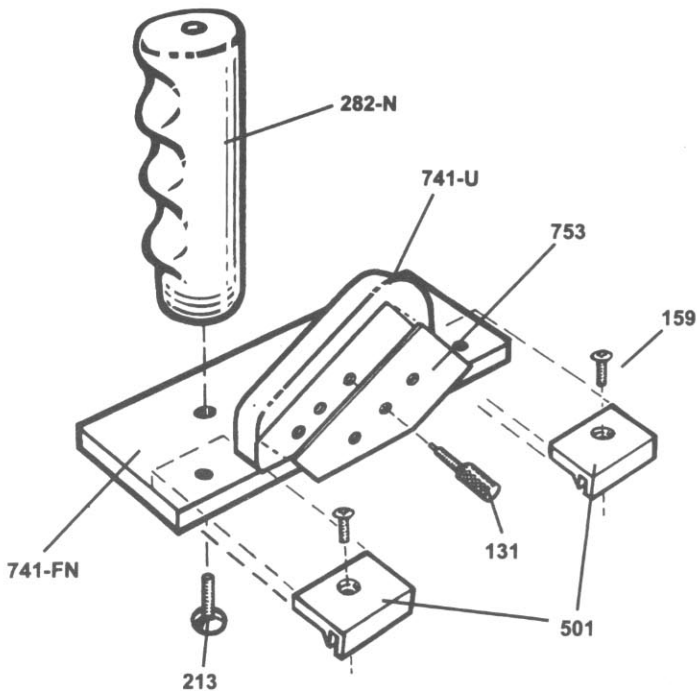
# Parts List

## A. Cutting Heads



### 702 Bevel Cutting Head

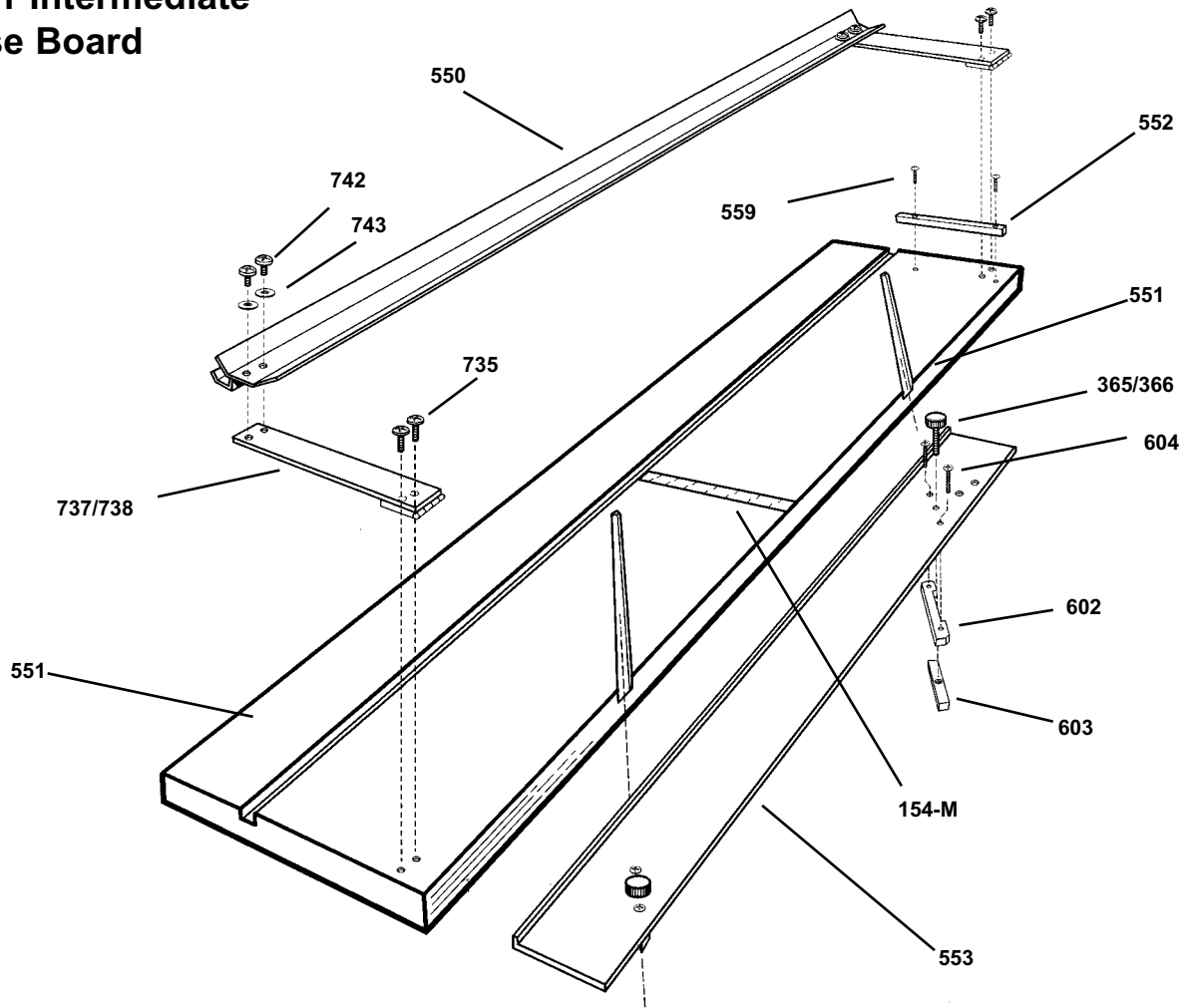
903-A	Retaining Screw
401-X	Simplex Cutter Base
613-N	Torsion Spring
102-N	Bevel Blade Holder
1149	Shoulder Screw
103	Bevel Blade Cover
273	Blade Cover Screw x 2
223-N	Blade Holding Screw
501	Bearing
501-X	Bearing
128	Spring
122	Anti-Crawl Pin
256	Blade Depth Screw
159	Bearing Screw x 2



### 701 Straight Cutting Head

282-N	Handle
741-U	Upright Base
753	Blade Cover
159	Bearing Screw x 2
131	Knurled Screw
501	Bearing x2
213	Screw
741-FN	Straight Cut Base

## #401 Intermediate Base Board



### #401 Intermediate Base Board

551	Base Board
365/366	Mat Guide Screws x 2
604	Screws x 4
602	Slide x 2
603	Wedge x 2
735	Screw x 4
559	Screw x 2
737/738	Hinges x 2
550	Guide Rail
743	Washers x 4
742	Screws x 4
154-M	Mat Guide Scale
553	Mat Guide
552	Squaring Bar