

# COMPACT MAT CUTTER

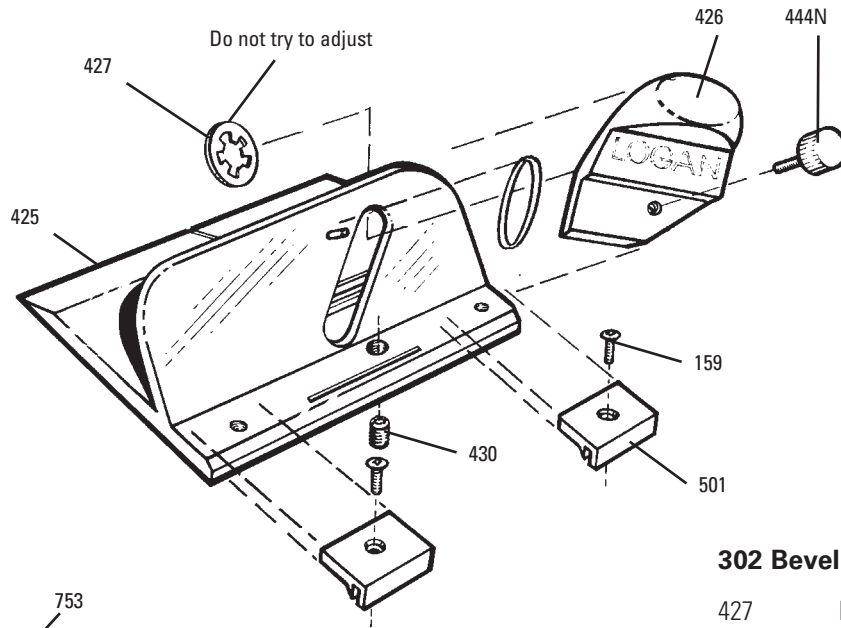
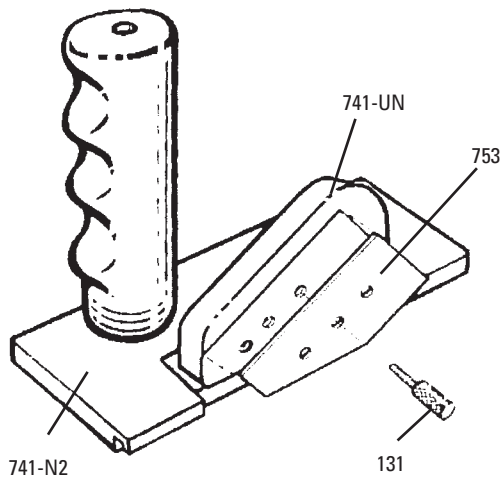
MODEL 301-S

## PARTS LIST

### A. Cutting Heads

#### 701 Straight Cutting Head

741-UN	Upright Base
753	Blade Cover
131	Knurled Screw
741-N2	Straight Cut Base



#### 302 Bevel Cutting Head

427	Push Washer
425	Cutting Head Base
426	Push Slide
444N	Blade Screw
501	Nylon Guide x 2
159	Screw x 2
430	Depth Screw

### B. Compact Base Board

150	Guide Rail
151	Support Arm x 2
152	Spacer Block x 2
153-1	Mat Guide
154-M	Mat Guide Scale
155	Cutting Board
229	Feet x 4 <i>not shown</i>
602-N	Mat Guide Slide x 2
603-N	Mat Guide Wedge x 2
735	Screw x 4
742	Screw x 4
743	Washer x 4
356/366	Mat Guide Knob x 2
604	Screw x 4

