

Instruction Sheet

Model F49

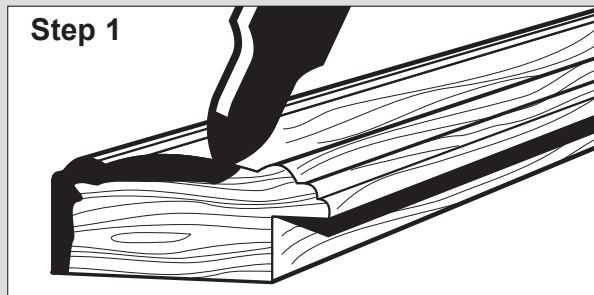
PICTURE FRAMING

STUDIO JOINER VISE

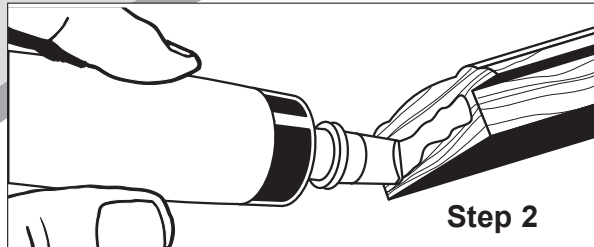


www.logangraphic.com

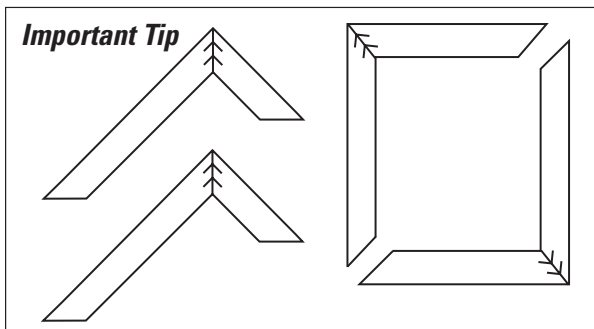
The F49 Studio Joiner Vise is an accessory to be used in conjunction with the F300-1 Studio Joiner. Using this extra vise clamp will speed up frame joining time by giving you the ability to glue and set two corners at a time and then v-nail the corners to finish the frame.



Step 1



Step 2



Important Tip

Always join the sides of the frame first as shown. Then join the two halves to finish. Always put the longer length in vise on right hand side and shorter length on left hand side.

Step 4

Align moulding pieces in vise top so corner is square before fully tightening the clamp foot.

Step 5

Tighten handle firmly but do not over tighten.

Step 6

The clamped moulding corner is now ready for immediate v-nailing or can be set aside for the glue to dry and v-nail later.

Step 1

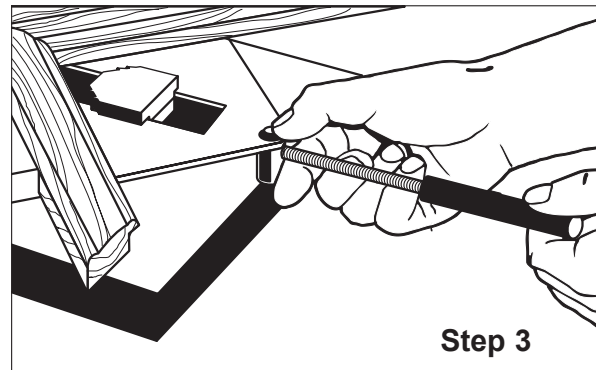
Mark the inside edge of miter moulding cuts with a like color stain marker. This blends any future gaps in the joint. Stain markers can be found at art supply and craft stores.

Step 2

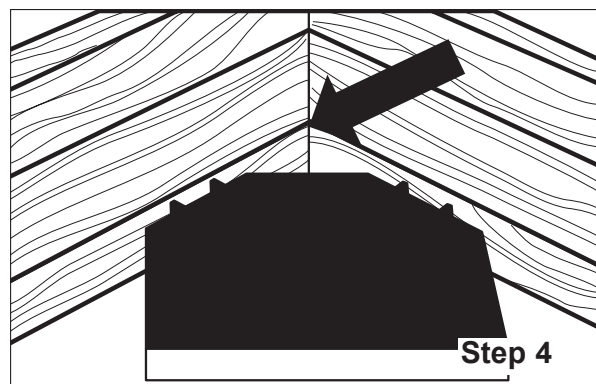
Glue moulding miter for long lasting solid corners.

Step 3

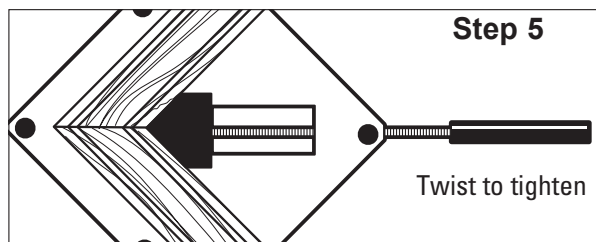
Insert the moulding pieces into the vise. Adjust clamp jaw by pressing spring button and sliding handle.



Step 3



Step 4



Step 5

Twist to tighten

See the entire line of Logan DIY Picture Framing Tools and Mat Cutting Equipment at www.logangraphic.com or call 1-800-331-6232 for more information.