

**EASY GRIP**

# GLASS CUTTER

**WARNING: SAFETY FIRST! WEAR EYE PROTECTION AND GLOVES WHEN WORKING WITH GLASS.**

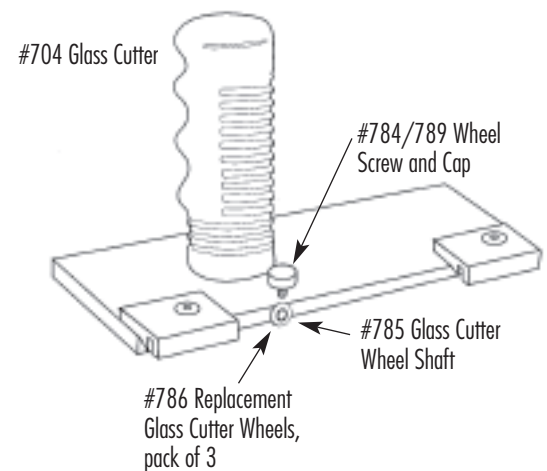
Not for use with Logan Framer's Edge Mat Cutters

## Model 704

### Operating Instructions and Tips

The Logan Model 704 Glass Cutter is a hand-held glass cutting tool used for general framing type glass cutting. The following instructions are written to acquaint you with the product. Please take a few minutes to familiarize yourself with the instructions and tips. You will find the information valuable and you will be cutting glass with professional results in no time.

- The 704 Glass Cutter can be used with all Logan rail systems and most board-mounted mat cutters including: 424, 440, 301-S, 301-M, 450, 750 and 760; except Framer's Edge series.
- The Logan 704 Glass Cutter does not cut completely through the glass. Instead, it makes a shallow cut which weakens the glass enough to be cracked at the scribe.
- Keep all surfaces clean when cutting glass to avoid scratching the glass or dulling the cutting wheels.
- Always use cutting fluid when cutting glass, such as lighter fluid, kerosene, or odorless non-flammable cutting fluid. Apply generously on the glass and the cutting wheel for crisp clean cuts.
- Use cutting fluid directly on the cutting wheel to clean away glass dust debris. This will help to keep the wheel sharp and extend its useful life.
- Use light downward pressure and score the glass only once. Excessive pressure dulls the wheel and may damage the glass cutter.
- Align the scored glass with the edge of the cutting board and push down to break glass.
- For your safety, wear protective gloves and eyewear when cutting glass.
- Should you need replacement parts, please reference the part numbers indicated on the following illustration.



Logan Graphic Products, Inc.  
1100 Brown Street  
Wauconda, IL 60084 USA

Toll Free 1 800 331 6232

Made in the USA of Domestic  
and Foreign Components

[www.logangraphic.com](http://www.logangraphic.com)

L788F1 6\_07