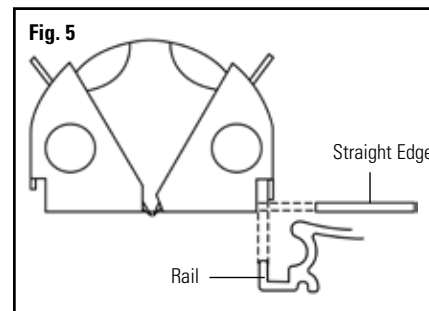
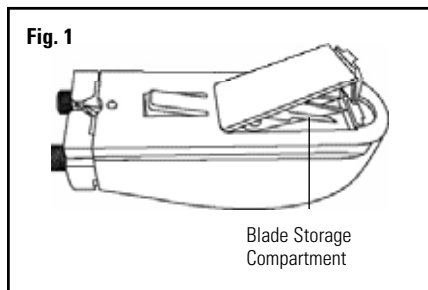


Caution!! Mat Cutting Blades are Sharp

Use Logan replacement blade #324

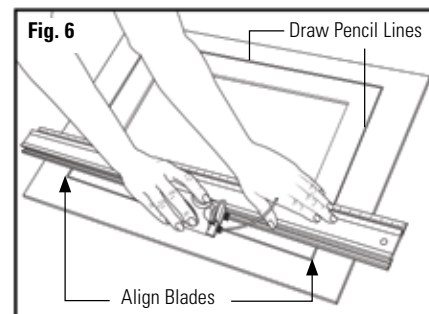
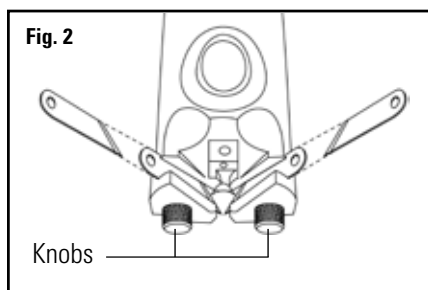
Install Blades

1. Remove blades from storage **Fig. 1**
2. Loosen knobs and insert both blades in proper direction **Fig. 2**
3. Adjust blades until both tips just touch each other evenly **Fig. 3**
4. Tighten knobs



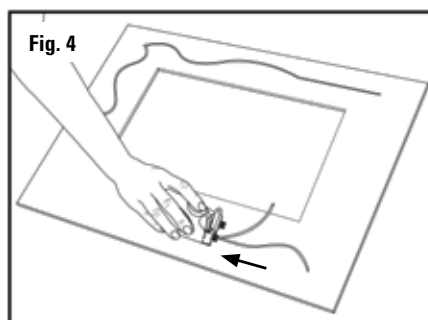
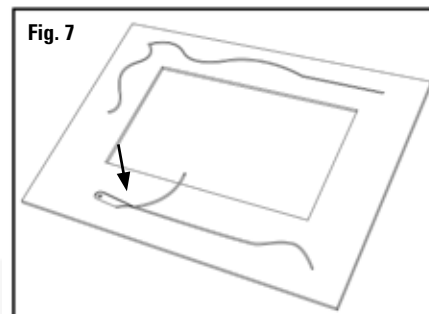
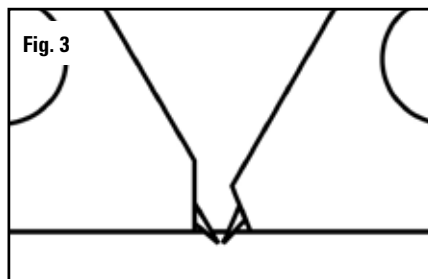
Freestyle V-Groove Cutting

1. Lay mat color-side up
2. Press down firmly on blades
3. Pull cutter **Fig. 4**
4. Trim cut to finish using a spare blade or hobby knife **Fig. 7**



Straight V-Groove Cutting

1. Lay mat color-side up
2. Lightly draw pencil lines for location of V-groove
3. Set V-groove cutter against straight edge or onto rail **Fig. 5**
4. Adjust rail so blades align at top and bottom of pencil line and pull to cut from line to line **Fig. 6**
5. Trim cut to finish **Fig. 7**
6. Erase lines



Helpful Hints

1. Keep even downward pressure for best results
2. Adjust tip spacing to increase size of V-groove
3. Adjust tip alignment for clean V-grooves
4. When drawing pencil lines, only mark 1" cross lines in corners to reduce erasing

