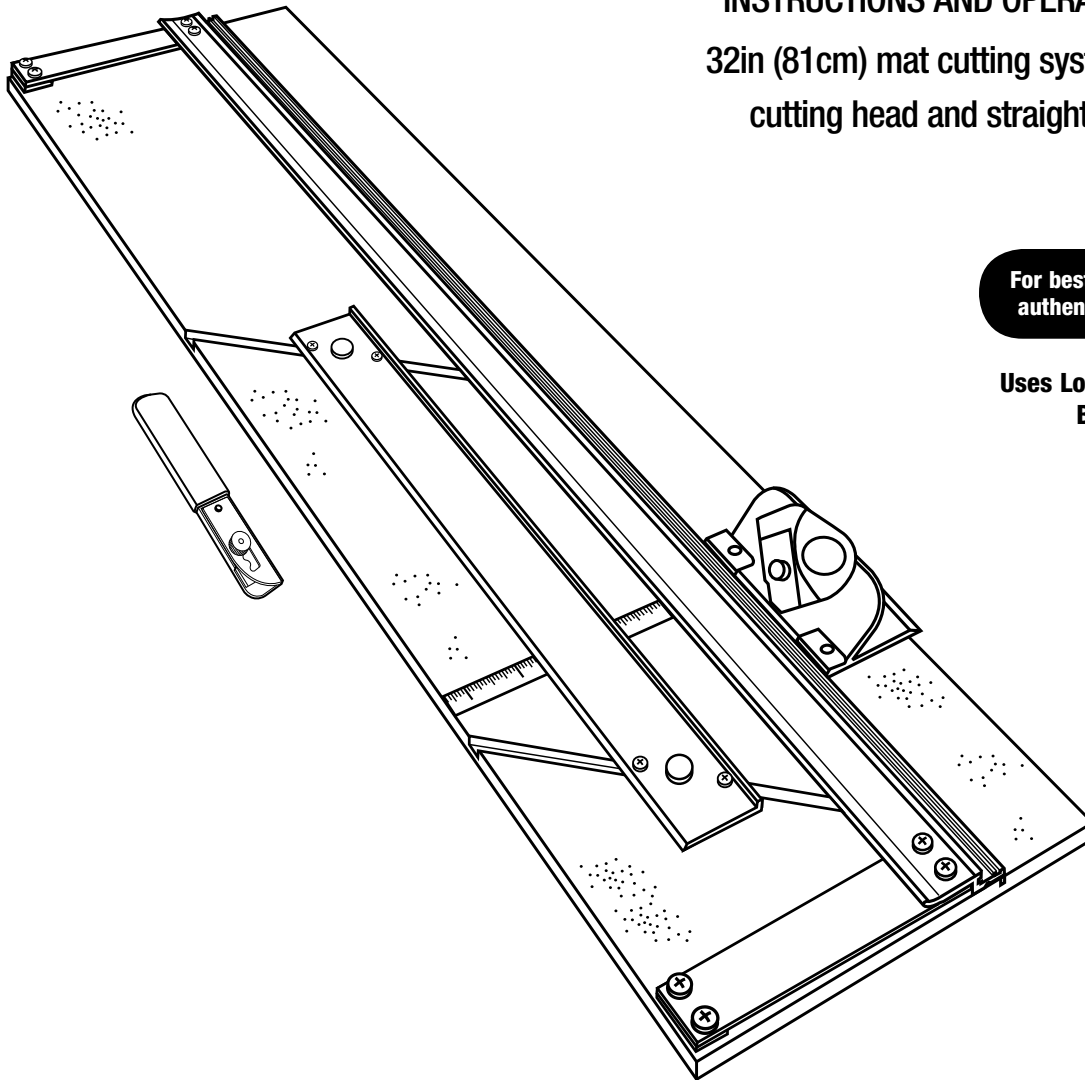


COMPACT CLASSIC MAT CUTTER

INSTRUCTIONS AND OPERATION MANUAL
32in (81cm) mat cutting system with bevel
cutting head and straight cut mat knife.



**For best results use only
authentic Logan blades**

**Uses Logan Replacement
Blade #270**



Purchase Date _____

ID Number (on bottom of board) _____

Date (on bottom of board) _____

Congratulations on your purchase of the Logan Compact Classic Mat Cutter.

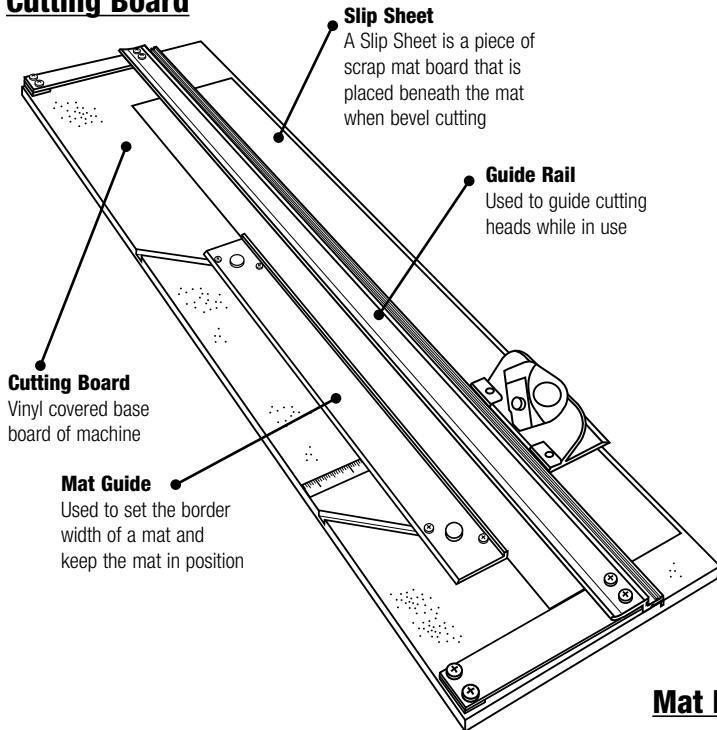
This versatile and dependable tool will prove to be a useful device for those seeking professional results from a low priced, easy to use mat cutter. This instruction manual is written to acquaint you thoroughly with this product. Please take some time to familiarize yourself with it before cutting. You will find that the time taken will be well worth it and you will be cutting quality mats in no time.

CHECK OF CONTENTS:

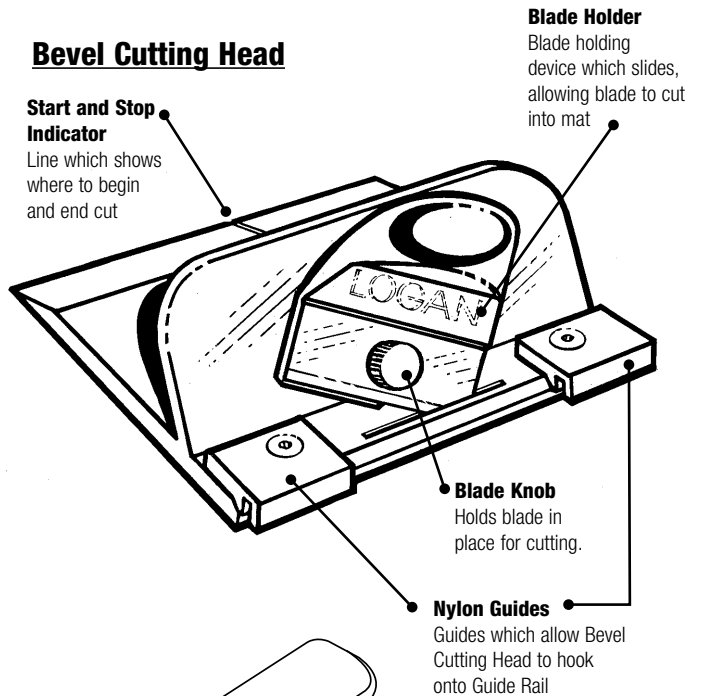
301-1 Compact Classic - 32" base board with Mat Guide, Bevel Cutting Head, Mat Knife, Slip Sheet, Instructional DVD and 1 five pack of Logan #270 blades.

IDENTIFICATION OF MACHINE COMPONENTS:

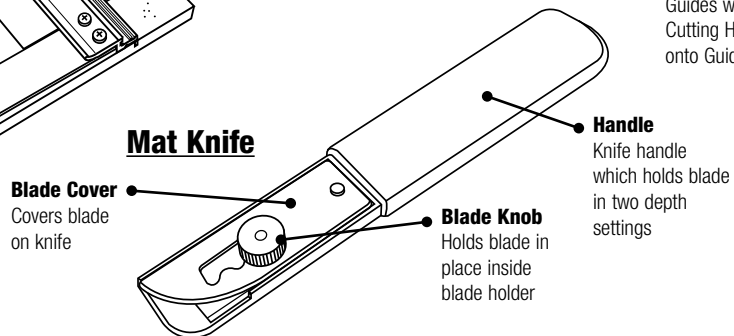
Cutting Board



Bevel Cutting Head



Mat Knife



Warranty

Logan Graphic Products, Inc. ("Logan") warrants the 301-1 COMPACT CLASSIC to be free from defects in parts and workmanship for a period of two years from the date of original purchase. Logan warrants that it will either repair or replace, in its sole discretion, any necessary replacement parts found to be defective. Should the product need to be returned to Logan for repair or replacement parts, authorization for any return must come from Logan in writing. Costs of returning the product to Logan, including insurances, shall be borne by the purchaser. Logan shall not be liable for any damages or losses, incidental or consequential, direct or indirect, arising from the use of this product. This warranty extends only to the original purchaser and is not assignable or transferable. This warranty is in lieu of all other warranties, expressed or implied.

Logan Graphic Products, Inc.
1100 Brown Street
Wauconda, IL 60084
800/331-6232 or 847/526-5515

Orientation

The procedures detailed in the following instructions refer to the right & left sides and top & bottom of the machine as shown **(Fig. 1)**.

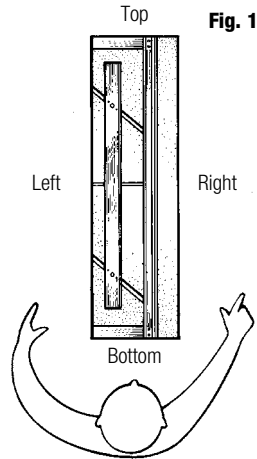


Fig. 2

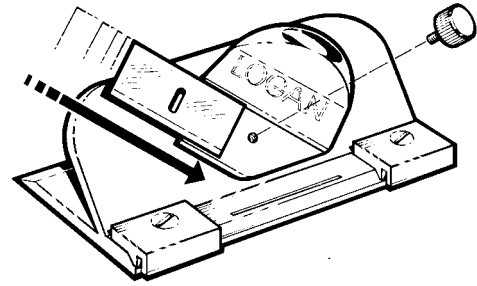


Fig. 3

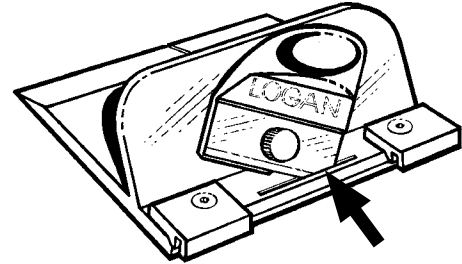


Fig. 4

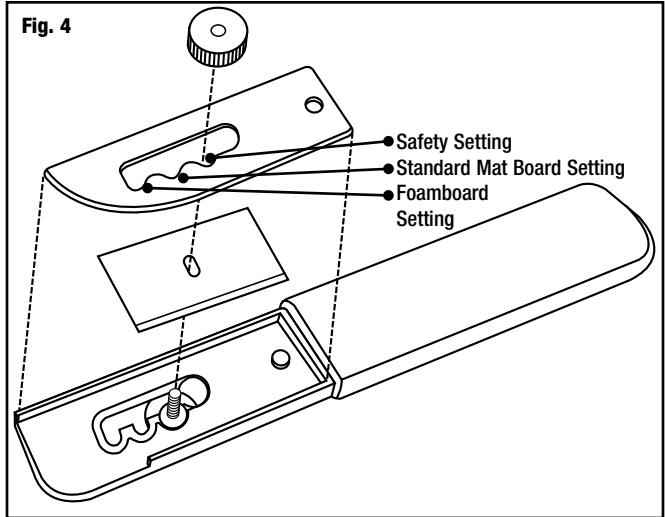
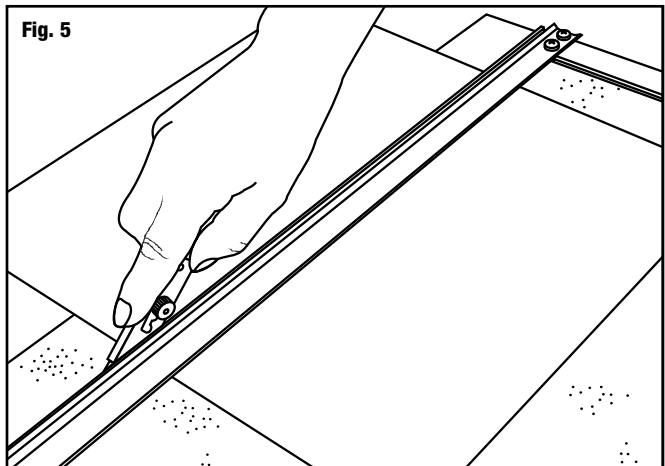


Fig. 5



Blade Installation - Model 302 Bevel Cutter

1. Remove blade knob.
2. Remove one blade from the package of five.

NOTE: Because the blades are packed with a small amount of oil, they may stick together. Be certain that only one blade is being inserted into the blade slot.

3. Place blade onto blade holder, sharp edge down and slide blade until corner of blade tip enters slot and hole in blade lines up with hole in blade holder **(Fig. 2)(Fig. 3)**.
4. Replace blade knob and tighten.

NOTE: Blade holder has a spring that is designed to keep blade safely withdrawn when not in use. It is not designed to pull blade out of mat after cutting.

Blade Installation - Model 500 Mat Knife

1. Remove blade knob and blade cover.
2. Align blade hole over thread. Be sure sharp edge of blade is facing down.
3. Reassemble blade cover and blade knob.

NOTE: Adjust blade to foamboard (fully extended), standard mat board (middle setting) or safety (fully retracted) **(Fig. 4)**.

Straight Cutting Board to Size

1. Remove mat guide and slip sheet.
2. Mark dimensions of cut on back of mat board.
3. Place mat color side down under guide rail, and align cut mark with edge of guiderail.
4. Set the proper depth setting on the #500 Mat Knife.
5. Hold the rail firmly with your left hand. With your right hand, hold the mat knife vertical so the handle is at a 45° angle **(Fig. 5)**.
6. Draw the knife towards you along guide rail, keeping downward pressure on the mat knife.

Bevel Cutting Mat Openings

EXAMPLE: Cutting a mat with a 2" border.

1. To re-install the Mat Guide, loosen the Black Knobs with the raised edge towards the Guide Rail, line up the Mat Guide with the parallel slots. Hold the Mat Guide at either end and evenly drop the Mat Guide into the slots and then tighten the black knobs.
2. Set the Mat Guide to the desired border width. For example, for a 2" border, align the back of the Mat Guide at the 2" mark and tighten the Black Knobs (**Fig. 6**).
3. Make sure the Slip Sheet is in place before bevel cutting. You must use a Slip Sheet. The straight cut slot underneath the Guide Rail is for straight cutting only.
4. Place the mat color side down under the Guide Rail and up against the squaring bar and mat guide (**Fig. 7**).
5. Using a pencil, draw a line down the full length of the back of the matboard. Turn the mat after each marking and repeat this for the remaining three sides.
6. Attach the 302 Bevel Cutter to the Guide Rail by fitting the black nylon guides over the raised edge of the channel.
7. Position the cutter so the middle start & stop line lines up with the marked line closest to the bottom of the machine (**Fig. 8**).

NOTE: Extra start & stop lines are for reference to increase or decrease overcuts.

8. Use your thumb to firmly depress the blade holder all the way down to insert the blade (**Fig. 9**).
9. With your left hand putting pressure down on the guide rail, slide the bevel cutter forward until the Start and Stop indicator lines up with the top pencil line. DO NOT GO PAST THE LINE! (**Fig. 10**)

NOTE: It is essential to keep even downward pressure on the Blade Holder as you cut.

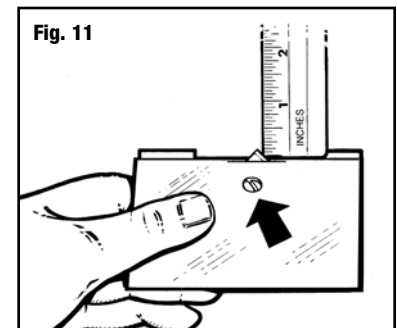
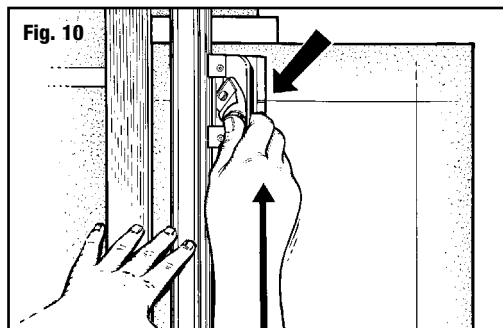
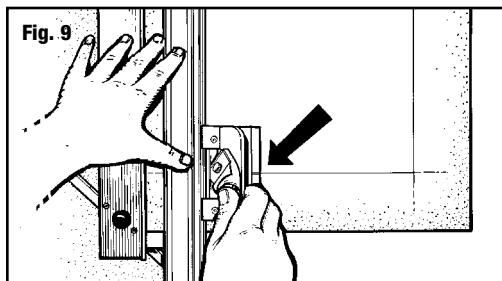
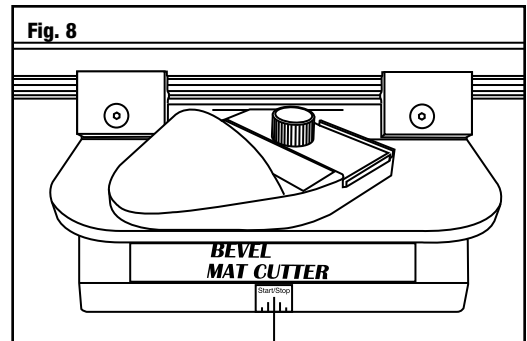
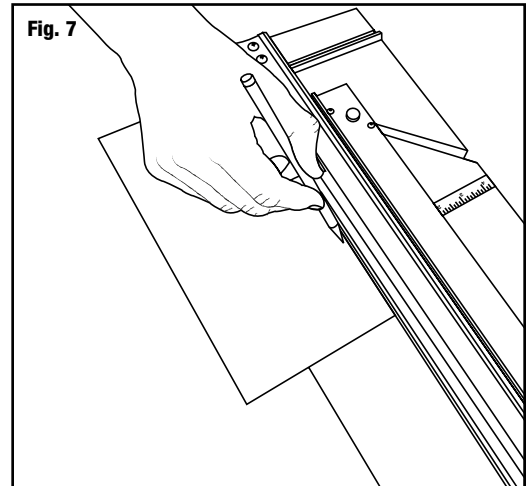
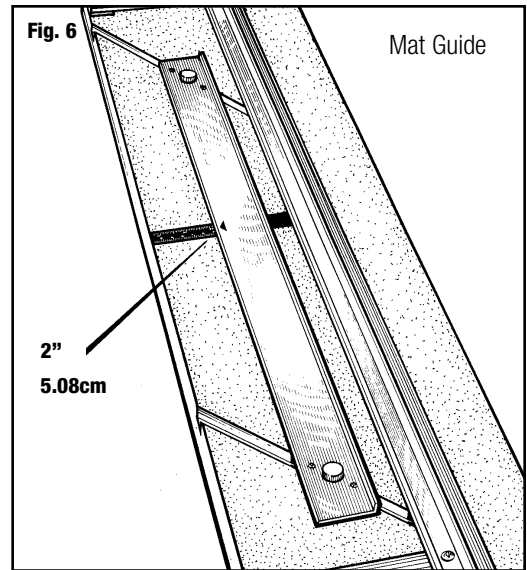
10. Use your thumb to pop the blade holder back out of the matboard, lift the guide rail slightly to turn the mat 1/4 turn and continue cutting the remaining three sides.

Adjustments

Bevel blade depth adjustment

- Increase depth to increase overcuts - Decrease depth to reduce overcuts

1. Hold the 302 Bevel Cutter upside down in your hand with the blade activated in the cutting position.
2. Measure the exposed amount with a ruler at the same angle as the blade. For standard thickness mat board (4 ply/1.4mm) only 1/8" of blade should be seen (**Fig. 11**).
3. Turn blade depth screw (clockwise) to decrease blade depth and (counterclockwise) to increase depth.



NOTE: Always have blade depth set so that Slip Sheet is only slightly scored.

Re-parallel Mat Guide

Tools Needed: Phillips Screwdriver, Ruler

To re-parallel the Mat Guide, first determine that the Mat Guide is out of parallel by doing a parallel test.

Parallel Test:

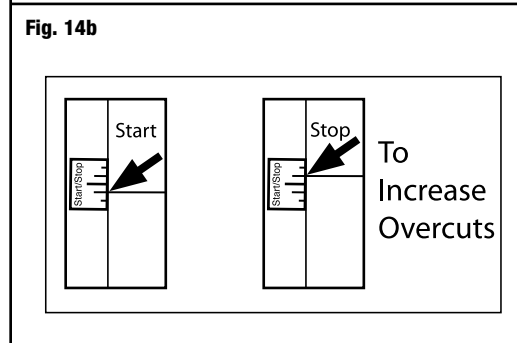
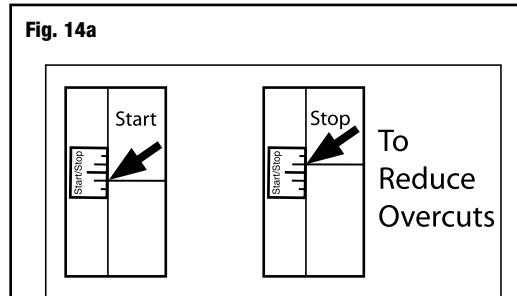
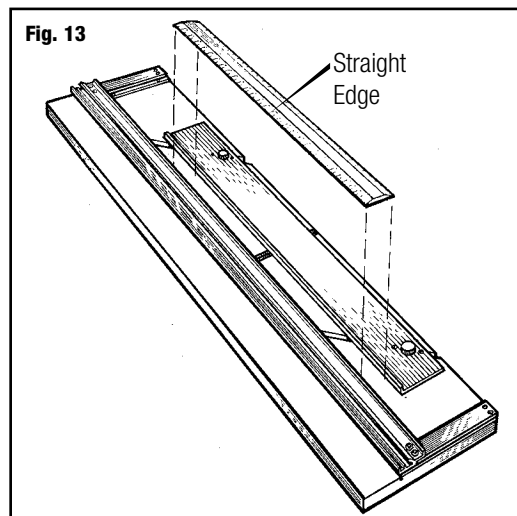
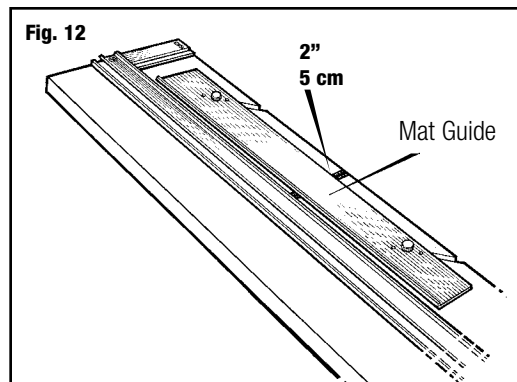
1. Lock the Mat Guide at the 2" mark on the scale (**Fig. 12**).
2. Place a scrap piece of matboard under the Guide Rail and up against the Mat Guide at the far end of the machine.
3. Using a pencil, mark a line across the matboard.
4. Slide the mat all the way down near where you are standing keeping under the Guide Rail.
5. Mark another line across the matboard.
6. The piece of matboard should now appear to only have one single line across it. If the two lines drawn do not line up with each other, the Mat Guide needs to be re-parallelled.

To Re-parallel:

1. Release the Mat Guide.
2. Use a Phillips head screwdriver to loosen the four screws on either side of the black knobs one turn.
3. Place a ruler or straight edge between the Mat Guide and the Guide Rail (**Fig. 13**).
4. Slide the Mat Guide against the straight edge and the Guide Rail. Make sure both the Mat Guide and the Guide Rail are making solid contact on both sides of the straight edge.
5. Re-tighten the Black Knobs first.
6. Then re-tighten the four screws. Do another parallel test to ensure that the Mat Guide is now parallel.

Overcut Adjustment

1. Use the marks on the start & stop indicator to reduce or increase overcuts (**Fig. 14a & 14b**).
2. To reduce overcuts, start & stop like this (**Fig. 14a**):
3. To increase overcuts, start & stop like this (**Fig. 14b**):



Changing Scales

Your Logan mat cutter is supplied with a separate set of either inch or metric scales. If you prefer a different form of measurement than what is installed on your mat cutter, use these simple steps to recalibrate your machine to the alternate scale measurements.

Switching inch scale to metric scale:

STEP 1: Using a pencil, mark a small line on the machine next to the 2 3/4" mark of the inch scale (**Fig. A**). Mark the line on the machine itself, NOT the scale.

STEP 2: Carefully peel up and remove the inch scale and clean off any adhesive or glue residue left behind.

STEP 3: Peel off the adhesive backing from the metric scale and apply it with the 7cm mark exactly next to the pencil mark you drew. Conversion: 2 3/4" = 7cm (**Fig. B**).

Switching metric scale to inch scale:

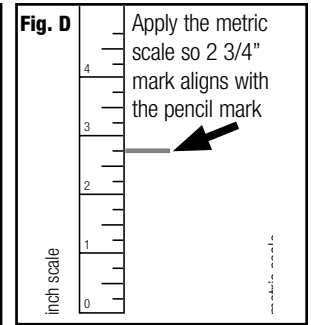
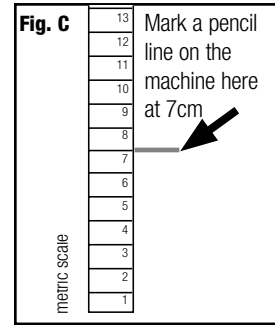
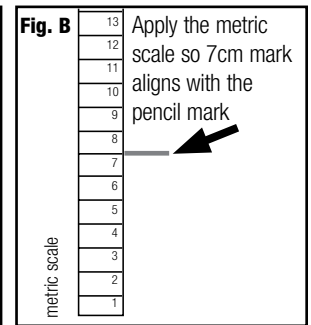
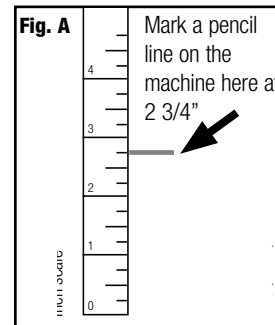
STEP 1: Using a pencil, mark a small line on the machine next to the 7cm mark of the metric scale (**Fig. C**). Mark the line on the machine itself, NOT the scale.

STEP 2: Carefully peel up and remove the metric scale and clean off any adhesive or glue residue left behind.

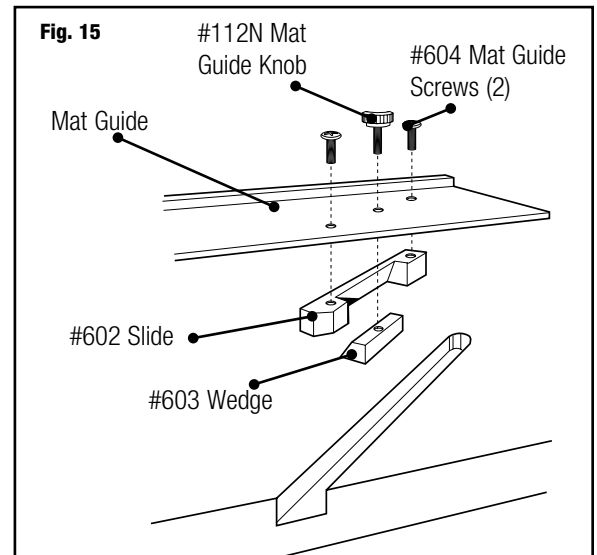
STEP 3: Peel off the adhesive backing from the inch scale and apply it with the 2 3/4" mark exactly next to the pencil mark you drew. Conversion: 7cm = 2 3/4" (**Fig. D**).

Trouble Shooting

Problem	Solution
Hooks or Curves	Blade depth set too deep. (see page 4) Blade is dull. Blade is catching on previous cut in Slip Sheet. (see page 4) Uneven pressure being applied to Cutting Head during cut. (see page 4)
Overcut on Top Cut	Blade depth set too deep. (see page 4)
Overcut on Bottom Cut	If too small - align start and stop indicator slightly below pencil line and cut. If too big - align start and stop indicator slightly above pencil line and cut.
Mat Borders Uneven	Mat Guide not parallel (see page 5)
Ragged Bevel Cut	Cutting without a Slip Sheet. (see page 4) Slip Sheet is worn out. (see page 4) Not changing the blade often enough.
Not Cutting Through	Machine not on a level surface (see page 3) Not using a Slip Sheet as least as long as the mat you are cutting. (see page 4) Blade depth set too shallow. (see page 4)



Mat Guide Assembly (Fig. 15)



Helpful Hints

Avoid Board Warp - Always store your Mat Cutter flat.

Clean Guide Rail - Only use evaporative solvents such as lighter fluid or alcohol. Do not lubricate the Guide Rail: lubricants will soften the nylon guides and cause them to bind on guide rail.

Cutting a Border Less Than 3/4" - Mark mat (back side) using a pencil and do not use Mat Guide.

Blade Life - Use only authentic Logan blades to ensure best results. No two blades last the same amount of time. Size of mats and differences in mat board effect blade life. It is best practice to use a new blade whenever starting a new project.

COUTEAU À PASSE-PARTOUT COMPACT CLASSIQUE

FR MODE D'EMPLOI

Couteau à passe-partout de 81cm avec
têtes de découpe pour angles droits et biseaux

**Pour de meilleurs résultats
n'utilisez que les lames
Logan authentiques**

**A utiliser avec des lames
no. 270**

ESP MANUAL DE
INSTRUCCIONES

Sistema de cortar paspartús de 81 cm con
cabezales de corte recto y biselado

**Para mejores resultados
utilice solamente las
cuchillas auténticas de Logan**

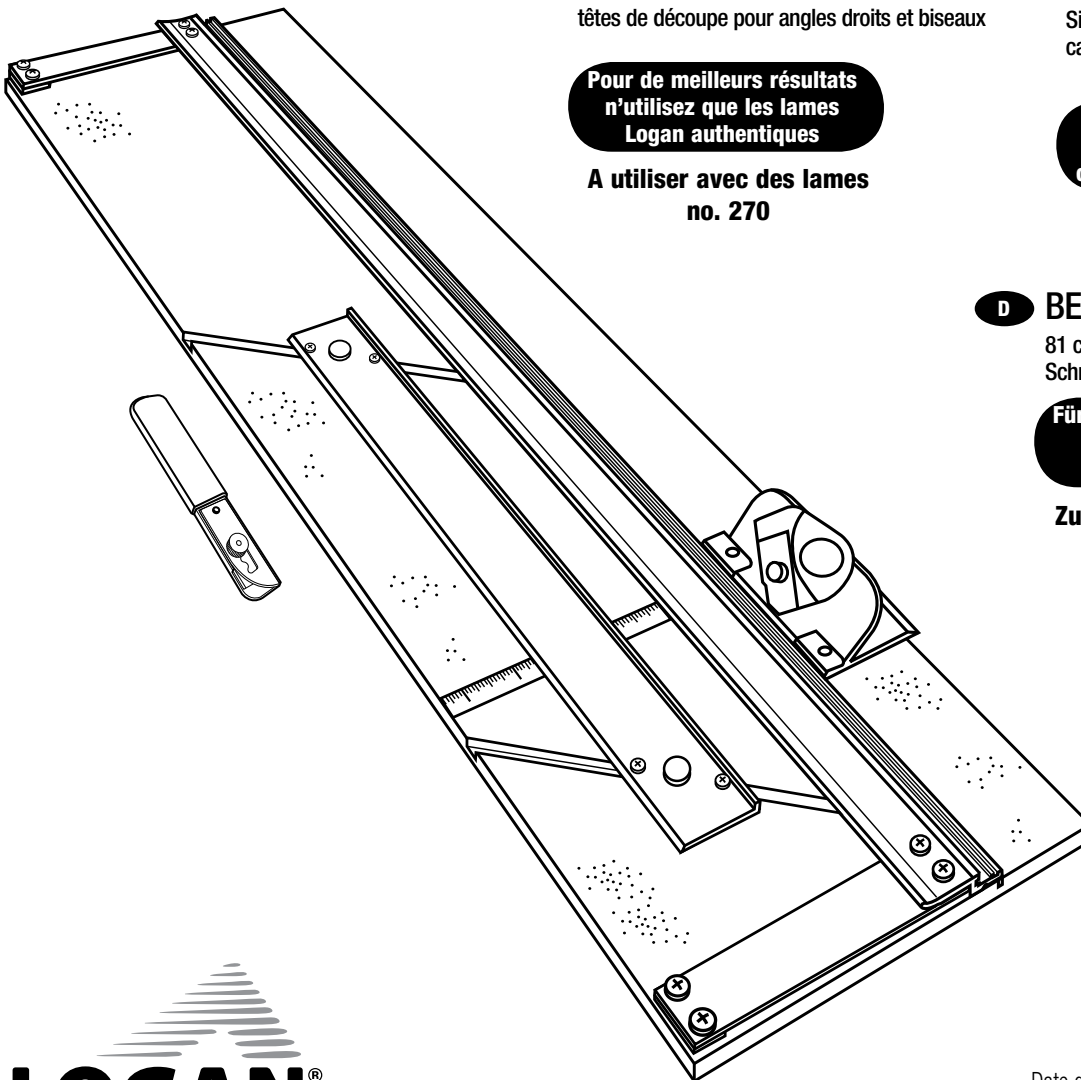
Utilizar cuchillas nº 270

D BEDIENUNGSANLEITUNG

81 cm langer Passepartoutschneider mit
Schneidköpfen für Gerade- und Schrägschnitt

**Für optimale Schneidergebnisse
Verwendung von Logan-
Originalklingen empfohlen**

**Zu verwendende Klingen:
Nr. 270**



LOGAN[®]
GRAPHIC PRODUCTS, INC.
Tools for Art - Tools for Life

Date d'achat

Número d'identification (partie inférieure du support)

Date (partie inférieure du support)

Instruction Manual *Compact Classic Mat Cutter* Model 301-1

Nous vous félicitons d'avoir acheté le couteau à passe-partout Compact Classique de Logan.

Cet outil polyvalent et fiable s'avérera d'une grande utilité pour tous ceux qui souhaitent obtenir des résultats professionnels avec un couteau à passe-partout facile d'emploi et économique. Ce mode d'emploi vise à familiariser complètement l'utilisateur avec ce produit. Veuillez lire soigneusement ce document avant de procéder à la découpe d'un projet. Vous verrez que ce ne sera pas du temps de perdu et que vous serez ensuite rapidement en mesure de découper des passe-partout de qualité.

VÉRIFICATION DU CONTENU:

Couteau à passe-partout 301-1 Compact Classique— support de découpe de 81,28 cm avec guide de passe-partout longitudinal, et en biseau, couteau passe-partout, feuille doublure, DVD et 1 paquet de cinq lames Logan n° 270.

Le felicitamos por la compra de su cortadora de paspartús Logan Compact Classic.

Esta herramienta versátil y confiable demostrará ser un dispositivo útil para aquellos que buscan resultados profesionales de un cortador de lámina perimétrica de bajo costo y fácil de utilizar. Este manual de instrucción se ha escrito para familiarizarlo a fondo con este producto. Por favor tome un cierto tiempo para familiarizarse con el antes de cortar. Usted encontrará que el tiempo será una buena inversión, y estará cortando láminas perimétricas de calidad muy pronto.

COMPROBACIÓN DEL CONTENIDO:

301-S Compact Classic— Tablero base de 81.28cm con Guía de la Lámina Perimétrica, Cabezales de corte recto y biselado, Hoja de Respaldo y 1 paquete de cinco cuchillas Logan #270.

Wir gratulieren Ihnen zum Kauf Ihres Logan-Compact Classic Mat Cutter.

Dieses gut durchdachte, erschwingliche Schneider liefert Profi-Ergebnisse zu einem Bruchteil der Kosten von Profigeräten. Diese Bedienungsanleitung soll Ihnen den Umgang mit dem Werkzeug erleichtern. Bitte lesen Sie sich vor dem Schneiden die Bedienungsanleitung gründlich durch. Sie werden feststellen, dass Sie dann hochqualitative Passepartouts im Handumdrehen zuschneiden können.

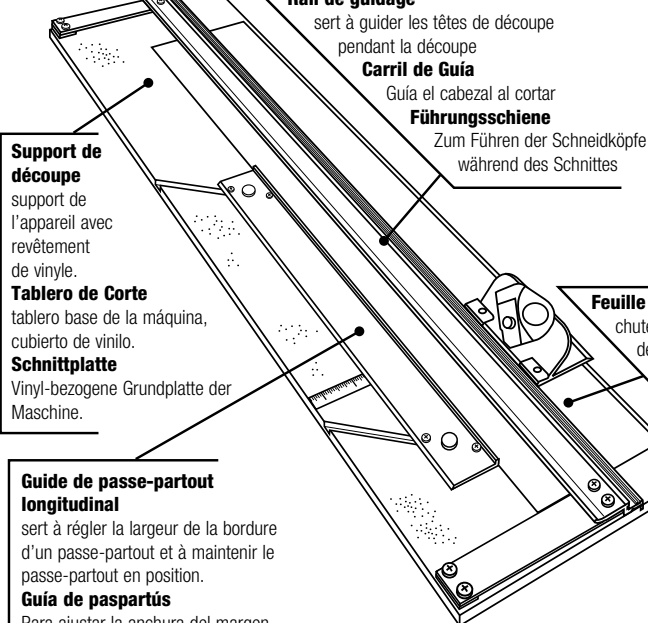
PRÜFUNG DES INHALTS:

301-1 Compact Classic – 81.28 cm lange Grundplatte mit Passepartout-Führung, Gerade und Winkelschneideköpfe, Unterlagekarton und 5er Pack Logan #270 Klingen.

IDENTIFICATION DES COMPOSANTS DE L'APPAREIL IDENTIFICACIÓN DE LOS COMPONENTES DE LA MÁQUINA GERÄTETEILE

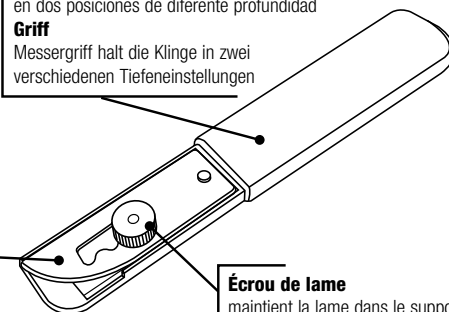
Procéder à la découpe

Tablero de Corte Schnittplatte



Couteau Passe-partout Cuchilla De Lámina Perimétrica Passepartoutmesser

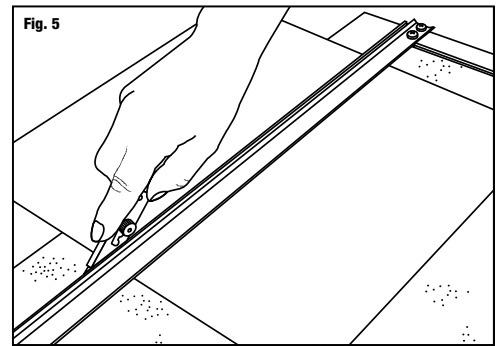
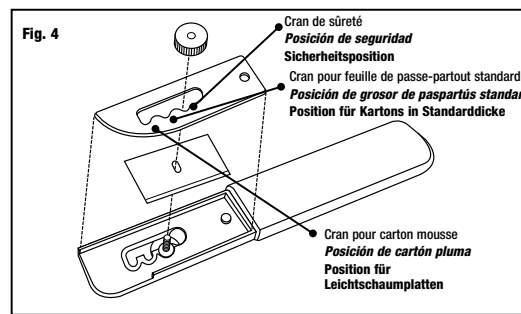
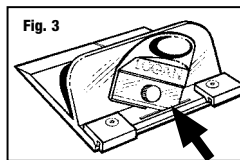
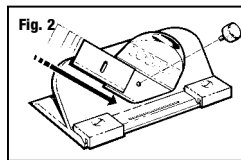
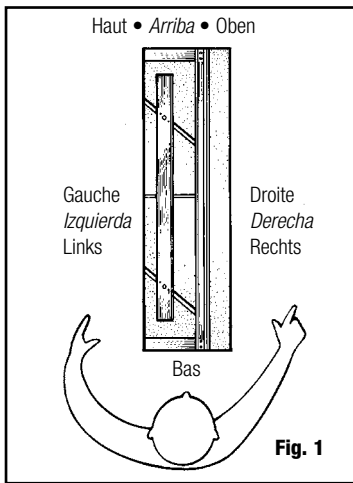
Etui de lame
recouvre la lame du couteau
Tapacuchillas
tapa la cuchilla de la herramienta
Klingenabdeckung
verdeckt die Klinge des Messers



Warranty

Logan Graphic Products, Inc. ("Logan") warrants the 301-1 COMPACT CLASSIC to be free from defects in parts and workmanship for a period of two years from the date of original purchase. Logan warrants that it will either repair or replace, in its sole discretion, any necessary replacement parts found to be defective. Should the product need to be returned to Logan for repair or replacement parts, authorization for any return must come from Logan in writing. Costs of returning the product to Logan, including insurances, shall be borne by the purchaser. Logan shall not be liable for any damages or losses, incidental or consequential, direct or indirect, arising from the use of this product. This warranty extends only to the original purchaser and is not assignable or transferable. This warranty is in lieu of all other warranties, expressed or implied.

Logan Graphic Products, Inc.
1100 Brown Street
Wauconda, IL 60084
800/331-6232 or 847/526-5515



FR ORIENTATION DE LA SURFACE DE TRAVAIL

Le couteau à passe-partout Compact DOIT être placé sur une surface de travail PLANE, lisse et solide. (Fig. 1).

Installation de la lame - Couteau biseauté 302

1. Retirez l'écrou de la lame à l'avant du couteau biseauté.
2. Retirez une lame du paquet de cinq.

REMARQUE: Les lames étant conditionnées avec une petite quantité d'huile, elles peuvent adhérer les unes aux autres. Assurez-vous qu'une seule lame est insérée dans la fente à lame.

3. Placez la lame sur le support de lame, le bord coupant vers le bas et faites glisser la lame jusqu'à ce que le coin de la lame s'insère dans la fente et le trou de la lame coïncide avec le trou du support de lame (Fig. 2)(Fig. 3).

4. Remettez en place l'écrou de la lame et resserrez-le. **REMARQUE:** La tête coupante biseautée a une action "ressort" qui se produit lorsqu'il n'y a pas de lame. L'action ressort n'est PAS supposée faire remonter la lame hors du passe-partout après la coupe.

Installation de la lame - Couteau à passe-partout Modèle 500

1. Retirez l'écrou de la lame et le protège-lame.
2. Faites concider le trou de la lame avec le pas de vis. Assurez-vous que la partie tranchante de la lame soit dirigée vers le bas.
3. Remplacez le protège-lame et l'écrou.

REMARQUE: Réglez la lame sur carton plume (écart maximum), feuille de passe-partout standard (écart moyen), ou sûreté (écart minimum) (Fig. 4).

Découpe de passe-partout à la dimension extérieure désirée

1. Retirez le guide de passe-partout et la feuille doublure.
2. Tracez les repères de coupe au dos de la feuille de passe-partout.
3. Placez la face colorée du passe-partout vers le bas, sous le rail de guidage et faites coïncider le repère de coupe avec le bord du rail de guidage.
4. Réglez la profondeur adéquate sur le couteau à passe-partout #500.
5. Maintenez fermement le rail avec votre main gauche. Avec votre main droite, maintenez verticalement le couteau à passe-partout de manière à ce que la poignée soit dans un angle de 45° (Fig 5).
6. En exerçant une pression vers le bas du couteau à passe-partout, tirez-le vers vous, le long du rail de guidage.

ESP SUPERFICIE/ORIENTACIÓN DE TRABAJO

La figura demuestra las direcciones de las instrucciones siguientes. (Fig. 1).

Instalación de la Cuchilla - Cortador de bisel 302

1. Quite la perilla de la cuchilla del frente del cortador de bisel.
2. Saque una cuchilla del paquete de cinco.

NOTA: Debido a que las cuchillas se embalan con una cantidad pequeña de aceite, pueden quedarse pegadas. Asegúrese de insertar solamente una cuchilla en la ranura de la cuchilla.

3. Deslice la cuchilla hacia el FRENTE del fijador de la cuchilla (parte afilada hacia abajo) hasta que la punta de la cuchilla entre en la ranura de cuchillas y el orificio en la cuchilla se alinee con el orificio del fijador de la cuchilla (Fig. 2)(Fig. 3).

4. Vuelva a poner el tornillo de la cuchilla y apriételo de nuevo.

NOTA: El cabezal de corte a bisel tiene un mecanismo de "saltar atrás" cuando no hay cuchilla insertada. Este mecanismo NO tiene la función de sacar la cuchilla del cartón, una vez finalizado el corte.

Instalación de las cuchillas - Cuchillo de paspartús modelo 500

1. Soltar el tornillo del cuchillo y quitar la tapa de la cuchilla
2. Alinear el agujero en la cuchilla sobre la rosca del tornillo
3. Fijar la tapa nuevamente mediante el tornillo.

NOTA: Ajustar la profundidad de la cuchilla para cartón pluma (punta de cuchilla sobresale al máximo), paspartús estándar (posición mediana) y posición de seguridad (cuchilla cubierta totalmente por la tapa) (Fig. 4).

Cortar el paspartús a la medida exterior deseada

1. Retire la guía de paspartús y el cartón trasero del equipo.
2. Marque las medidas deseadas en la parte trasera del cartón.
3. Ponga el cartón con la cara de color hacia abajo debajo de la guía de paspartús y alinee la marca en el margen de la guía de paspartús.
4. Ponga la cuchilla en la posición de profundidad deseada
5. Apoye su mano izquierda firmemente en la guía de paspartús. Con la mano derecha coja el cuchillo verticalmente. El mango se tiene que encontrar en un ángulo de 45° (Fig 5).
6. Tire el cuchillo hacia sí a lo largo de la guía de paspartús. Durante el corte ejerza presión hacia abajo de forma constante.

D ARBEITSOBERFLÄCHE/EINWEISUNG

Die Abbildung zeigt die Ausrichtung der folgenden Instruktionen.

Einlegen der Klinge - Schrägschnitt-Schneidkopf Modell Nr. 302

1. Lösen Sie die Klingenschraube
2. Nehmen Sie eine Klinge aus dem 5er Pack. **HINWEIS:** Die Klingen werden in eingefettetem Zustand geliefert und können daher leicht zusammenkleben. Achten Sie darauf, dass Sie nur eine einzige Klinge herausnehmen und in den Schlitz einstecken.

3. Legen Sie die Klinge mit der scharfen Seite nach unten so in den Klingenhalter, dass die Spitze durch den Klingenschlitz geführt wird und das Loch der Klinge am Loch des Klingenhalters ausgerichtet ist (Fig. 2)(Fig. 3).

4. Bringen Sie die Klingenschraube wieder in Position und ziehen Sie sie fest. **HINWEIS:** Der Schrägschnitt-Schneidkopf hat einen „Rücksprung“-Mechanismus, wenn keine Klinge eingelegt ist. Dieser Mechanismus dient NICHT dazu, die Klinge nach dem Schnitt aus dem Karton zu ziehen.

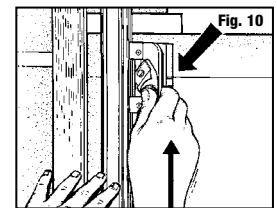
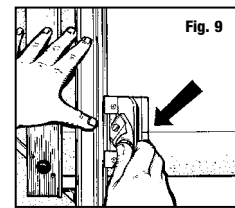
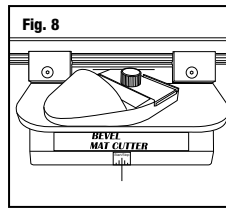
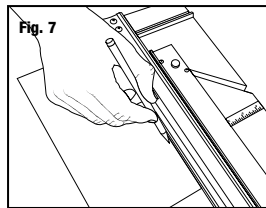
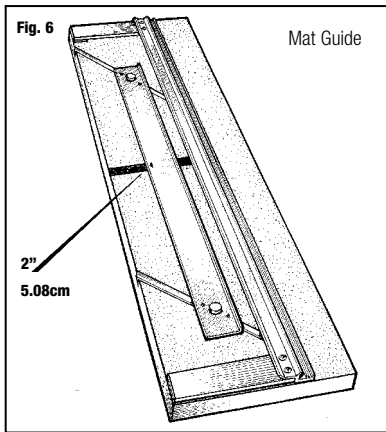
Einlegen der Klingen - Passepartoutmesser 500

1. Klingenschraube lösen und Klingenabdeckung entfernen
2. Loch in der Klinge über Schraubengewinde ausrichten
3. Klingenabdeckung mit Schraube wieder festschrauben

ANMERKUNG: Klingentiefe einstellen für Leichtschaumplatten (maximales Herausstehen der Klingenspitze), Standard-Passepartout (mittlere Position) und Sicherheitsposition (Klinge vollständig von Abdeckung verdeckt). (Fig. 4).

Zuschneiden eines Kartons auf ein Aussenmass

1. Entfernen Sie die Führungsschiene und den Unterlagekarton
2. Markieren Sie das gewünschte Maß auf der Rückseite des Kartons
3. Legen Sie den Karton mit der farbigen Seite nach unten unter die Führungsschiene und legen Sie die Markierung am Rand der Führungsschiene an.
4. Stellen Sie das Passepartoutmesser auf die korrekte Tiefenposition ein.
5. Halten Sie die Führungsschiene gut mit der linken Hand fest. Halten Sie das Passepartoutmesser mit der rechten Hand vertikal, so dass sich der Griff in einem 45° Winkel befindet (Fig 5).
6. Ziehen Sie das Passepartoutmesser an der Schiene entlang auf sich zu. Halten Sie den nach unten gerichteten Druck beim Schneiden konstant.



FR Découpe d'une ouverture en biseau

EXEMPLE : Découpe d'un passe-partout avec une bordure de 5,08 cm.

1. Pour installer de nouveau le guide de passe-partout longitudinal, desserrez les boutons noirs de trois tours et, le bord relevé vers la barre de guidage, alignez le guide de passepartout avec les fentes parallèles. Maintenez le guide de passe-partout à chaque extrémité et abaissez-le dans les fentes puis serrez les boutons noirs.
2. Réglez le guide de passe-partout à la largeur de bordure souhaitée. Par exemple, pour une bordure de 5,08 cm, alignez l'arrière du guide de passe-partout au niveau du repère de 2 pouces et serrez les boutons noirs (Fig 6).
3. Assurez-vous que la feuille doublure soit en place avant de procéder à une découpe en biseau. Une feuille doublure est nécessaire. La fente de découpe à angle droit sous le rail de guidage, est réservée à la coupe à angle droit.
4. Retournez la face colorée de la feuille sous le rail de guidage et vers le haut, contre la barre d'équerrage (Fig 7).
5. En utilisant un crayon, tracez une ligne sur toute la longueur du dos du passe-partout. Tournez le passe-partout après chaque tracé et répétez cette opération pour les trois côtés restants.
6. Fixez le couteau biseauté 302 sur le rail de guidage en ajustant les guides de nylon noir sur le bord relevé du rail.
7. Positionnez le cutter de manière à ce que la ligne médiane début/arrêt soit en alignement avec le trait de crayon le plus proche du bas du passe-partout (Fig 8).

REMARQUE: les lignes supplémentaires début et fin vous permettent de réduire ou d'augmenter les dépassements.

8. Appuyez à fond sur le support de lame avec le pouce pour y insérer la lame (Fig 9).
9. Avec la main gauche appliquant une pression d'appui sur le rail de guidage, faites glisser le couteau biseauté vers l'avant jusqu'à ce que le repère de début et de fin s'aligne avec la ligne tracée au crayon. NE DÉPASSEZ PAS CETTE LIGNE! (Fig 10)

REMARQUE: Il est essentiel de maintenir une pression d'appui constante sur le support de lame lors de la coupe.

10. D'un coup de pouce, retirez le support de lame de la feuille (passe-partout), relevez le rail de guidage pour tourner le passe-partout de 1/4 de tour et continuez à découper les trois côtés restants.

ESP Corte de una abertura biselada

EJEMPLO: Corte de un paspartús con un borde de 5 cm.

1. Para reinstalar la guía de paspartús, afloje los botones negros con tres vueltas y con el borde levantado hacia el carril de guía, alinee la guía de paspartús con las ranuras paralelas. Sostenga la guía de paspartús en cada extremo e insértela de forma equilibrada en las ranuras en la tabla de base. Después apriete los botones negros.
2. Ajuste la guía de paspartús a la anchura deseada de la franja. Por ejemplo para un marco de 5 cm alinee el dorso de la guía de paspartús en la marca de 5 cm y apriete los botones negros. (Fig 6).
3. Está seguro que el cartón trasero esté en su lugar antes de hacer el corte biselado. Es muy necesario usar un cartón trasero. La ranura de corte recto debajo del carril guía es para cortes rectos solamente.
4. Con la cara de color hacia abajo ponga el cartón debajo del carril de guía, contra la guía de paspartús (Fig 7).
5. Utilizando un lápiz, dibuje una línea de longitud completa del dorso del paspartús. Gírela después de cada marca y repita esto para los tres lados restantes.
6. Enganche el cortador de bisel 302 sobre el carril de guía, encajando las guías de nylon negros sobre el borde levantado del canal.
7. Coloque el cortador de modo que la línea de start y stop se alinee con la línea marcada más cercana posible a la parte baja de la máquina (Fig 8).

NOTA: Las líneas adicionales de start y stop le permiten aumentar o reducir los sobrecortes.

8. Utilice su pulgar para presionar firmemente al sujetador de la cuchilla hasta el fondo para insertar la cuchilla (Fig 9).
9. Con su mano izquierda y aplicando presión sobre el carril de guía, deslice el cortador de bisel hacia adelante hasta que el indicador de start y stop se alinee con la línea de lápiz superior. ¡NO VAYA MÁS ALLÁ DE LA LÍNEA! (Fig 10)

NOTA: Es esencial mantener la presión estable hacia abajo sobre el Sujetador de la Cuchilla conforme usted corta.

10. Utilice su pulgar para girar el fijador de la cuchilla hacia atrás y sacarlo del paspartús. Levante el carril guía levemente para girar el paspartús 1/4 de vuelta y para continuar cortando los tres lados restantes.

D Schneiden eines Fensterausschnitts mit Schrägschnitt

BEISPIEL: Schneiden eines Passepartouts mit einem 5 cm breiten Rand.

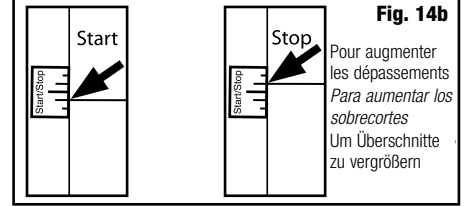
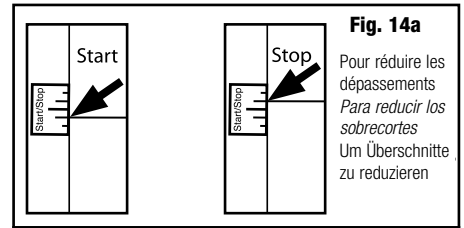
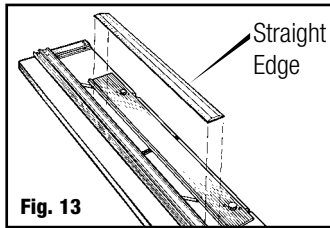
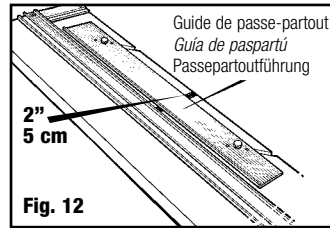
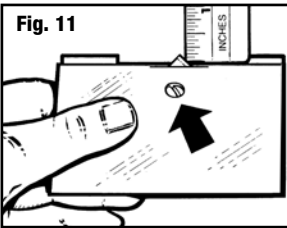
1. Zum Wiedereinlegen der Passepartout-Führung lösen Sie die schwarzen Knöpfe mit drei Umdrehungen. Mit der dickeren Kante in Richtung Führungsschiene richten Sie nun die Passepartout-Führung über den parallelen Schlitzen der Grundplatte aus. Halten Sie die Passepartout-Führung an beiden Enden fest und legen Sie sie in die Schlitze ein. Ziehen Sie die schwarzen Knöpfe fest.
2. Verschieben Sie die Passepartout-Führung nun auf die gewünschte Randbreite. Für einen 5 cm breiten Rand richten Sie die Vorderseite der Passepartout-Führung auf der 5 cm Markierung aus und ziehen die schwarzen Knöpfe fest (Fig 6).
3. Vergewissern Sie sich, dass vor dem Schrägschnitt ein Unterlagekarton in das Gerät eingelegt wurde. Es ist sehr wichtig, dass Sie einen solchen verwenden. Der gerade Schneidschlitz neben der Führungsschiene kann nur bei geraden Schnitten verwendet werden.
4. Legen Sie das Passepartout mit der farbigen Seite nach unten unter die Führungsschiene, an die Passepartout-Führung (Fig 7).
5. Ziehen Sie mit einem Bleistift Linien über die gesamte Länge der Passepartout-Rückseite. Wiederholen Sie diesen Schritt für die anderen drei Seiten.
6. Haken Sie den 302 Schrägschneider in die Führungsschiene ein, indem Sie die schwarzen Führungsfüßchen einhängen.
7. Positionieren Sie den Schneider so, dass die Startund Stopp-Anzeigelinien auf die Linien unten an der Maschine ausgerichtet sind (Fig 8).

Anmerkung: die zusätzlichen Start- und Stoppmarkierungen erlauben es Ihnen, Überschneitte zu vergrößern oder zu verringern.

8. Drücken Sie mit dem Daumen den Klingenhalter fest nach unten, um die Klinge einzustecken (Fig 9).
9. Drücken Sie mit der linken Hand nach unten auf die Führungsschiene, schieben Sie den Winkelschneider nach vorne, bis die Start- und Stopp-Anzeigelinien der oberen Bleistiftlinie entsprechen. GEHEN SIE NICHT ÜBER DIESE LINIE HINAUS! (Fig 10)

HINWEIS: Es ist wichtig, dass Sie beim Schneiden Druck auf den Klingenhalter ausüben.

10. Drehen Sie den Klingenhalter nach oben in die neutrale Position und drehen Sie das Passepartout um 1/4 Drehung nach rechts. Wiederholen Sie diese Schritte für die restlichen drei Seiten, um das Passepartout fertig zu stellen.



FR Réglages Et Entretien

Réglage de la hauteur de la lame – Tête de découpe en biseau Outils nécessaires : Tournevis, règle

1. Maintenir le couteau biseauté 302 à l'envers dans la main avec la lame activée en position de découpe.
2. En regardant l'extrémité de la lame, mesurez la portion exposée avec une règle au même angle que la lame. Pour une feuille à passe-partout d'épaisseur normale (4 couches) seulement 3,2 mm doivent être vus. Pour le réglage, trouvez la tête de la vis dans le renforcement du bas de la surface de la tête de découpe, à l'endroit où sort la lame (Fig. 11).
3. La rotation de la vis vers la droite (dans le sens des aiguilles d'une montre) réduit la hauteur de la lame ; la rotation vers la gauche (dans le sens contraire des aiguilles d'une montre) augmente sa hauteur. Une hauteur de 3,2 mm n'est pas adaptée à tous les passe-partout. Un passe-partout plus épais en nécessite plus. Réglez toujours la hauteur de la lame pour n'entailler que légèrement la feuille double. Même le fait de n'entailler que la moitié de l'épaisseur de la feuille double indique une hauteur de lame excessive. Cette hauteur de lame supplémentaire permet à l'extrémité de la lame de s'infléchir et cause des entailles et des courbes dans la découpe. Une hauteur supplémentaire de lame peut aussi fausser le repère de début et de fin, ce qui peut provoquer des découpes excessives. Ces test et ces réglages doivent être effectués périodiquement car la hauteur peut augmenter d'elle-même au fur et à mesure d'une utilisation régulière.

Repositionnement longitudinal du guide de passe partout OUTILS NÉCESSAIRES : Tournevis cruciforme, règle

Avant de repositionner longitudinalement le guide passe-partout, assurez-vous tout d'abord que cela est nécessaire en effectuant un test de parallélisme.

Test de parallélisme:

1. Verrouillez le guide de passe-partout longitudinalement au niveau du repère de 5 cm sur l'échelle (Fig. 12).
2. Placez un morceau de chute de passe-partout sous le rail de réglage et vers le haut contre le guide de passe-partout à l'extrémité de l'appareil.
3. À l'aide d'un crayon, tracez une ligne à travers le passe-partout.
4. Faites glisser le passe-partout complètement vers le bas vers vous en le gardant sous le rail de guidage.
5. Tracez une autre ligne à travers le passe-partout.
6. Le morceau de passe-partout doit à présent sembler n'avoir qu'une seule ligne en son travers. Si les deux lignes tracées ne s'alignent pas l'une sur l'autre, le parallélisme du guide de passe-partout doit être rétabli.

Pour Rétablir Le Parallélisme:

1. Relâchez le guide de passe-partout.
2. À l'aide d'un tournevis à tête cruciforme, desserrez d'un tour les quatre vis des deux côtés des boutons noirs.
3. Placez une règle entre le guide de passe-partout et le rail de guidage (Fig. 13).
4. Faites glisser le guide de passe-partout contre la règle et le rail de guidage. Assurez-vous qu'un bon contact existe entre le guide de passe-partout et le rail de guidage des deux côtés de la règle.
5. Resserrez les boutons noirs en premier.
6. Puis resserrez les quatre vis. Effectuez un autre test de parallélisme pour vous assurer que le guide de passe-partout est à présent parallèle.

Réglage des dépassements

1. Utilisez les repères sur l'indicateur début et arrêt pour réduire ou augmenter les dépassements (Fig. 14a & 14b).
2. Pour réduire les dépassements, commencer et finir ainsi (Fig. 14a):
3. Pour augmenter les dépassements, commencer et finir ainsi (Fig. 14b):

ESP Ajustes y mantenimiento

Ajuste de la profundidad de la cuchilla - cabezal de Corte de bisel

Herramientas necesarias: destornillador, regla

1. Sostenga el Cortador de Bisel 302 al revés en su mano con la cuchilla activada en la posición del corte.
2. Mirando la punta de la cuchilla, mida la cantidad expuesta con una regla al mismo ángulo que la cuchilla. Para paspartús de grosor estándar (4 capas) solamente se debe ver 3mm de cuchilla. Para ajustar, encuentre la cabeza del tornillo a ras debajo de la parte baja de la superficie del cabezal de corte cerca de donde está asomando la cuchilla (Fig. 11).
3. Girando el tornillo a la derecha (en el sentido de las agujas del reloj) se disminuirá la profundidad de la cuchilla, a la izquierda (en dirección contraria a las agujas del reloj) se aumentará la profundidad de la cuchilla. No todos los paspartús requieren 3mm. Un paspartús más grueso requerirá más. Siempre tenga la profundidad de la cuchilla ajustada de modo que el cartón trasero sea rajado solo levemente. Cortar hasta la mitad a través del cartón trasero es demasiada profundidad de cuchilla. Esta profundidad adicional de cuchilla permite que la punta de la cuchilla se flexione y cause enganches y curvas en el corte. La profundidad adicional de cuchilla puede también hacer que el indicador de start y stop sea incorrecto, lo que da lugar a sobrecortes. Se necesita hacer esta prueba y ajuste periódicamente ya que la profundidad puede aumentarse sola con el tiempo.

Reponer en paralelo la guía de paspartús

Herramientas necesarias: destornillador phillips, regla

Para reponer en paralelo la guía de paspartús, primero determine que ya no está paralela haciendo una prueba de paralelismo.

Prueba de paralelismo:

1. Fije la guía de paspartús en la marca de 5 cm en la escala (Fig. 12).
2. Coloque una pieza de desecho de paspartús debajo del carril de guía y contra la guía de paspartús en el extremo lejano de la máquina.
3. Utilizando un lápiz, marque una línea a lo largo del paspartús.
4. Deslice el paspartús al otro extremo del carril de guía.
5. Marque otra línea a través de la paspartús.
6. La pieza de paspartús debe mostrar ahora una sola línea a través de ella. Si las dos líneas dibujadas no se alinean la una con la otra, la guía de paspartús necesita ser repuesta en paralelo.

Para reponer en paralelo:

1. Libere la guía de paspartús.
2. Utilice un destornillador de punta Phillips para aflojar una vuelta los cuatro tornillos en cualquiera de los dos lados de las botones negros.
3. Coloque una regla o borde recto entre la guía de paspartús y el carril de guía (Fig. 13).
4. Deslice la guía de paspartús contra el borde recto y el carril de guía. Asegúrese que la guía de paspartús y el carril de guía estén en contacto sólido ambos lados del borde recto.
5. Vuelva a apretar las botones negros primero.
6. Vuelva a apretar los cuatro tornillos. Haga otra prueba paralela para asegurarse de que la guía de paspartús está paralela ahora.

Ajuste de sobrecortes

1. Utilice las marcas en el indicador start/stop para reducir o incrementar los sobrecortes (Fig. 14a & 14b).
2. Para reducir los sobrecortes, comience y termine el corte de la siguiente forma (Fig. 14a):
3. Para aumentar los sobrecortes, empiece y termine el corte como sigue (Fig. 14b):

D Einstellungen & Wartung

Einstellung der Klingentiefe – Schrägschnitt-Schneidkopf Benötigte Werkzeuge: Schraubenzieher, Lineal

1. Halten Sie den 302 Winkelschneider umgedreht in Ihrer Hand, wobei die Klinge in Schneideposition ist.
2. Sehen Sie auf die Klingenspitze und messen Sie die hervorstehende Spitze mit einem Lineal im selben Winkel wie die Klinge. Für Passepartouts von Standarddicke (4 Lagen) sollten nur 3 mm der Klinge zu sehen sein. Stellen Sie die Tiefe an der Schraube unter der Oberfläche des Schneidekopfs ein, wo die Klinge austritt (Fig. 11).
3. Drehen Sie die Schraube nach rechts (im Uhrzeigersinn), um die Klingentiefe zu reduzieren, oder nach links (gegen den Uhrzeigersinn), um die Tiefe zu erhöhen. Nicht alle Kartons erfordern 3 mm. Dickere Kartons benötigen mehr. Die Klingentiefe muss immer so eingestellt werden, dass der Unterlagekarton nur leicht eingeritzt wird. Wenn der Unterlagekarton zur Hälfte durchstoßen wird, ist die Klinge zu tief eingestellt. Diese zusätzliche Klingentiefe führt zu einem Verbiegen der Klingenspitze und zu Kurven im Schnitt. Zu viel Klingentiefe kann auch dazu führen, dass die Start- und Stopp-Anzeige nicht richtig ist und Überschneite vorkommen. Dieser Test und die Einstellungen müssen regelmäßig vorgenommen werden, weil der Passepartout-Karton verschieden dick sein kann und die Tiefe im Laufe der Zeit verstellt werden kann.

Erneutes Parallelisieren der Passepartoutführung

Benötigte Werkzeuge: Kreuzkopfschraubenzieher, Lineal.

Zur erneuten Parallelisierung der Passepartout-Führung müssen Sie zunächst feststellen, dass die Passepartout-Führung nicht mehr parallel ist, indem Sie einen Test durchführen.

Parallelitätstest:

1. Arretieren Sie die Passepartout-Führung an der 5 cm Markierung auf der Skala (Fig. 12).
2. Legen Sie einen Bogen Abfall-Passepartout unter die Führungsschiene an die Passepartout-Führung oben an der Maschine.
3. Ziehen Sie mit einem Bleistift eine Linie über das gesamte Passepartout.
4. Schieben Sie das Passepartout ganz nach unten, wo Sie stehen und lassen Sie das Passepartout an der Passepartout-Führung, aber nicht am Auswinkelarm.
5. Ziehen Sie eine Linie über das gesamte Passepartout.
6. Das Passepartout sollte jetzt nur eine Linie aufweisen. Wenn die beiden Linien nicht vollkommen aufeinanderliegen, muss die Passepartout-Führung neu parallelisiert werden.

Erneutes parallelisieren:

1. Lassen Sie die Passepartout-Führung los.
2. Lösen Sie mit einem Kreuzkopfschraubenzieher die Schrauben an den Seiten der schwarzen Knöpfe um jeweils eine Drehung. Insgesamt müssen vier Schrauben gelöst werden.
3. Positionieren Sie ein Metalllineal oder eine gerade Kante zwischen der Passepartout-Führung und die Führungsschiene (Fig. 13).
4. Schieben Sie die Passepartout-Führung an die gerade Kante der Führungsschiene. Vergewissern Sie sich, dass die Passepartout-Führung und die Führungsschiene an beiden Seiten der geraden Kante Kontakt haben.
5. Ziehen Sie die schwarzen Knöpfe zuerst wieder fest.
6. Ziehen Sie dann die vier Schrauben fest. Machen Sie einen weiteren Parallelitätstest, um sicherzugehen, dass die Passepartout-Führung jetzt parallel ist.

Anpassung von Überschneiten

1. Nutzen Sie die Markierungen am Start/Stop-Anzeiger, um Überschneite zu reduzieren oder zu vergrößern (Fig. 14a & 14b).
2. Um Überschneite zu reduzieren, beginnen und beenden Sie den Schnitt wie folgt (Fig. 14a):
3. Um Überschneite zu vergrößern, starten und stoppen Sie wie folgt (Fig. 14b):



FR Changer de règle

Votre couteau à passe-partout Logan est fourni avec deux jeux de règles différentes, en pouces et métrique. Si vous préférez utiliser un système de mesure différent de celui qui est installé, il vous suffit de suivre ces différentes étapes pour recalibrer votre machine avec les mesures de l'autre système.

Remplacer une règle en pouces par une règle métrique:

Etape 1: Sur la machine, tracez un petit trait de crayon en face de la graduation 2 3/4" de la règle en pouces (Fig. A). Faire un trait sur la machine elle-même, pas sur la règle.

Etape 2: Avec précaution, décollez la règle en pouces de bas en haut et nettoyez tout reste de colle sur la machine

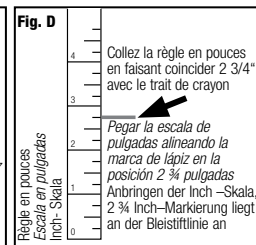
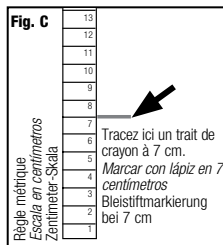
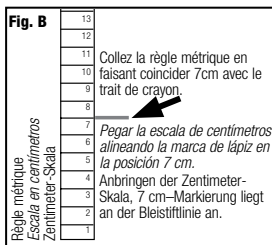
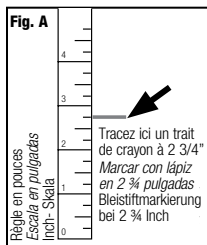
Etape 3: Retirez le film adhésif au dos de la règle métrique et la collez en faisant correspondre exactement la graduation 7cm avec le trait de crayon que vous avez fait. Conversion 2 3/4" = 7 cm (Fig. B).

Remplacer une règle métrique par une règle en pouces:

Etape 1: Sur la machine, tracez un petit trait de crayon en face de la graduation 7 cm de la règle en centimètres (Fig. C). Faire un trait sur la machine elle-même, pas sur la règle.

Etape 2: Avec précaution, décollez la règle métrique de bas en haut et nettoyez tout reste de colle sur la machine.

Etape 3: Retirez le film adhésif au dos de la règle en pouces et la collez en faisant correspondre exactement la graduation 2 3/4" avec le trait de crayon que vous avez fait. Conversion 7 cm = 2 3/4" (Fig. D).



Conseils utiles

- Évitez la déformation du support de découpe - Après utilisation, rangez toujours votre couteau à passe-partout à plat. Ne le posez jamais verticalement, même pour un court moment. Ceci pourrait occasionner le fléchissement de l'embase du couteau à passe-partout.
- Nettoyage du rail de guidage Utilisez uniquement des solvants volatiles tels que l'essence à briquet ou l'alcool. Ne lubrifiez pas le rail de guidage : cela ramollirait les guides en plastique provoquant leur pliage sur la barre de guidage.
- Pour découper une bordure de moins de 20mm, tracez un trait de crayon (au dos de la feuille) et n'utilisez pas le guide de passe-partout.

Recomendaciones

- Para que no se doble la table de fondo - siempre guarde el equipo de forma horizontal.
- Para limpiar el carril de guía - utilice disolventes que evaporan como líquido de mechero o alcohol. No engrase el carril ya que los lubricantes ablandecen las guías de plástico del cabezal de corte y se pegarán a la guía de corte.
- Para cortar márgenes de menos de 20 mm, marque la ventana en la cara trasera del cartón y no utilice la guía de corte. To cut a border less than 20mm - mark back of mat using a pencil and do not use the mat guide.

Problème	Solution
Entailles ou courbes	<ul style="list-style-type: none"> N'utilisez que des lames d'origine Logan. Lame réglée à une hauteur excessive. (voir page 4) Lame émoussée. La lame accroche une coupe précédente dans la feuille doublure. (voir page 4) Pression inégale appliquée sur la tête de découpe lors de la découpe. (voir page 4)
Découpe excessive sur la coupe supérieure	Lame réglée à une hauteur excessive. (voir page 4)
Découpe excessive sur la coupe inférieure	<ul style="list-style-type: none"> Si trop petit - alignez le repère de début et de fin légèrement sous la ligne au crayon et découper. Si trop grand - alignez le repère de début et de fin légèrement au-dessus de la ligne au crayon et découper.
Bordures du passe-partout inégales	Guide de passe-partout non parallèle. (voir page 5)
Coupe en biseau décalée	<ul style="list-style-type: none"> Découpe sans feuille doublure. (voir page 4) Feuille doublure usée. (voir page 4) Fréquence de remplacement de la lame insuffisante.
Ne coupe pas au travers	<ul style="list-style-type: none"> La machine n'est pas sur une surface plane (voir page 3) Une feuille doublure au moins aussi longue que le passe-partout à couper n'est pas utilisée (voir page 4) La feuille doublure n'est pas aussi large que le rail de guidage. La hauteur de la lame n'est pas suffisante. (voir page 4)

Problema	Solución
Ganchos o Curvas	<ul style="list-style-type: none"> Use cuchillas auténticas de Logan solamente. Profundidad de la cuchilla graduada muy hondo. (vea pagina 4) La cuchilla está embotada. La cuchilla se está atrancando en un corte anterior de la Hoja de Respaldo. (vea pagina 4) Se está aplicando presión desigual al Cabezal de Corte durante el corte. (vea pagina 4)
Cortado en exceso en el Corte de Arriba	Profundidad de la cuchilla graduada muy hondo. (vea pagina 4)
Cortado en exceso en el Corte de Abajo	<ul style="list-style-type: none"> Si es demasiado pequeño - alinee un indicador de inicio y de parada levemente debajo de la línea del lápiz y corte. Si es demasiado grande - alinee un indicador de inicio y de parada levemente por encima de la línea del lápiz y corte.
Bordes Desiguales de la Lámina Perimétrica	Guía de la Lámina Perimétrica no paralela (vea la página 5)
Corte Desigual del Bisel	<ul style="list-style-type: none"> Corte sin una Hoja de Respaldo. (vea pagina 4) La Hoja de Respaldo está desgastada. (vea pagina 4) No está cambiando la cuchilla suficiente a menudo.
No Está Cortando A Través	<ul style="list-style-type: none"> La Máquina no está en una superficie a nivel (vea la página 3). No está utilizando una Hoja de Respaldo por lo menos con la lámina perimétrica que usted está cortando (vea pagina 4). Hoja de Respaldo no es tan ancho como el Carril Guía. Profundidad de la cuchilla graduada no muy profundo (vea pagina 4).

D Auswechseln der Skala

Ihr Logan Passepartoutschneider wird mit einer zusätzlichen Inch- oder Zentimeterskala ausgeliefert. Wenn Sie die installierte Skala auswechseln möchten, gehen Sie wie folgt vor.

Wechseln von der Inch- zur Zentimeter-Skala

Schritt 1: Markieren Sie Ihr Gerät bei 2 3/4 Inch mit einer leichten Bleistiftlinie (Fig. A). Markieren Sie direkt auf dem Gerät, nicht auf der Skala.

Schritt 2: Lösen Sie die Inch-Skala vorsichtig vom Untergrund und entfernen Sie sie vollständig. Säubern Sie alle eventuell vorhandenen Klebstoffreste.

Schritt 3: Entfernen Sie den Schutzfilm von der Rückseite der Zentimeter-Skala und kleben Sie diese so auf das Gerät, dass die 7 cm - Markierung exakt an der von Ihnen erstellten Bleistiftmarkierung anliegt. Umwandlung 2 3/4 Inch = 7 cm (Fig. B).

Wechseln von der Zentimeter- zur Inch-Skala

Schritt 1: Markieren Sie Ihr Gerät bei 7 cm mit einer leichten Bleistiftlinie (Fig. C). Markieren Sie direkt auf dem Gerät, nicht auf der Skala.

Schritt 2: Lösen Sie die Zentimeter-Skala vorsichtig vom Untergrund und entfernen Sie diese vollständig. Säubern Sie alle eventuell vorhandenen Klebstoffreste.

Schritt 3: Entfernen Sie den Schutzfilm von der Rückseite der Inch-Skala und kleben Sie diese so auf das Gerät, dass die 2 3/4 Inch - Markierung exakt an der von Ihnen erstellten Bleistiftmarkierung anliegt. Umwandlung 7 cm = 2 3/4 Inch (Fig. D).

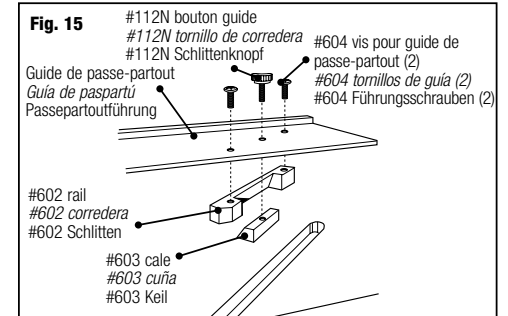
Hilfreiche Tipps

- Um zu vermeiden, dass die Grundplatte sich verzieht lagern Sie Ihren Passepartoutschneider immer flach.
- Reinigen Sie die Führungsschiene nur mit verdunstenden Lösungsmitteln wie Feuerzeugglässigkeit oder Alkohol. Fetten Sie die Schiene nicht ein, da die Schmiermittel die Plastikgleiter des Schneidkopfes weichmachen können, und diese dadurch nicht mehr korrekt gleiten.
- Wenn Sie einen Rand von weniger als 20 mm schneiden möchten, markieren Sie den Fensterausschnitt auf der Hinterseite des Kartons und verwenden nicht die Passepartoutführung hierfür.

Installation du guide de passe-partout (Fig. 15)

Instalación de la guía de paspartús (Fig. 15)

Installation der Passepartoutführung (Fig. 15)



Problem	Lösung
Haken oder Kurven	<ul style="list-style-type: none"> Verwenden Sie nur echte Logan-Klingen. Klinge ist zu tief eingestellt. (Siehe Seite 4) Klinge ist stumpf. Klinge bleibt an den vorhergehenden Schnittstellen auf dem Unterlagekarton stecken. (Siehe Seite 4) Druck wird nicht gleichmäßig auf den Schneidkopf beim Schneiden ausgeübt. (Siehe Seite 4)
Überschnitt auf dem obersten Schnitt	Klinge ist zu tief eingestellt. (Siehe Seite 4)
Überschnitt am untersten Schnitt	<ul style="list-style-type: none"> Zu klein- Start- und Stopp-Anzeige unter der Bleistiftlinie einstellen und schneiden. Zu groß - Start- und Stopp-Anzeige über der Bleistiftlinie einstellen und schneiden.
Passepartout-Ränder uneben	Passepartout-Führung nicht parallel. (Siehe Seite 5)
Ausgefranster Winkelschnitt	<ul style="list-style-type: none"> Schnitt ohne Unterlagekarton. (Siehe Seite 4) Unterlagekarton zu alt. (Siehe Seite 4) Klinge wird nicht häufig genug ausgewechselt.
Schnitt geht nicht durch	<ul style="list-style-type: none"> Maschine ist nicht auf einer ebenen Oberfläche. (Siehe Seite 3) Unterlagekarton ist nicht mindestens so lang wie das Passepartout. (Siehe Seite 4) Unterlagekarton ist nicht so breit wie die Führungsschiene. Druck wird nicht gleichmäßig auf den Schneidkopf beim Schneiden ausgeübt. (Siehe Seite 4)