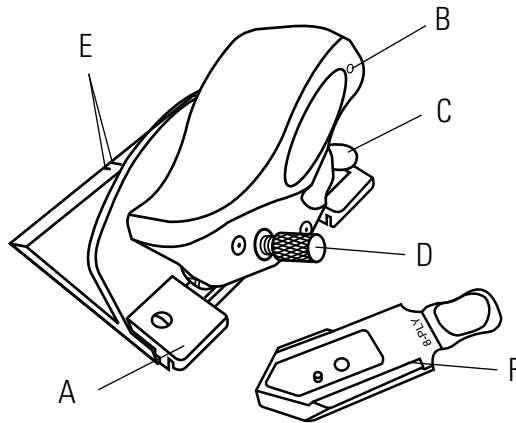


Identification

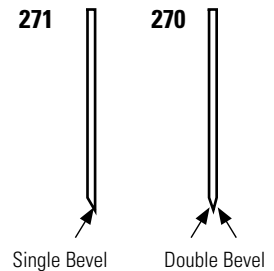
- A. Bearing
- B. Green Light
- C. Anticrawl Pin
- D. Blade Knob
- E. Start/Stop Lines
- F. Blade Slide



Caution!! Mat Cutting Blades are Sharp

Use Logan replacement blade #270
Use Logan single bevel blade #271

Blades

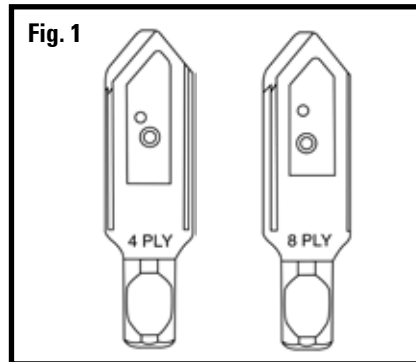


Preparation

Install Blades

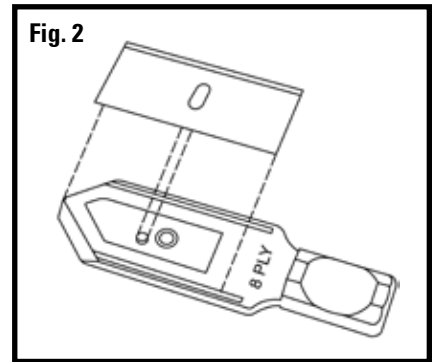
1. Choose blade: #270 double bevel for 4-Ply or soft rag mat, 8-Ply for #271 for dense, hard 8-Ply or superior results for all 8-Ply materials.
2. Choose thickness setting: 4-Ply or 8-Ply

Fig. 1

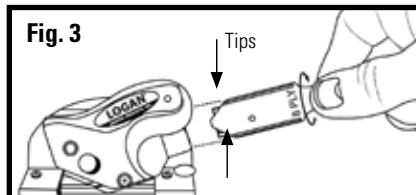


3. Set blade on to blade slide aligning pin with hole in blade. Be sure sharp edge of blade is on same side as sharp edge of slide **Fig. 2**

Fig. 2

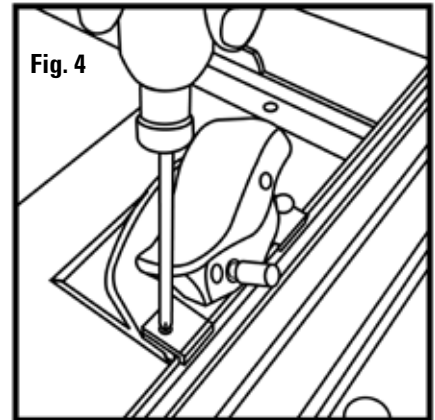


4. Magnet will hold blade on to slide. With sharp edge facing down and only blade tips showing, slide blade slide into cutting head until it stops **Fig. 3**



5. Tighten blade knob

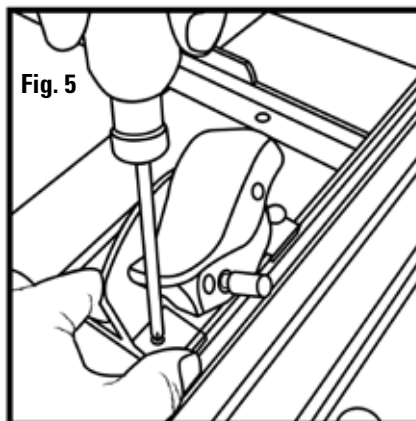
Fig. 4



Adjust Bearings (Use Phillips Screwdriver)

Adjust bearings to fit the guiderail closely to provide best cutting results.

1. Hook cutter onto rail
2. Loosen bearing screws one turn **Fig. 4**
3. Squeeze bearings against rail **Fig. 5**
4. Tighten bearing screws



Operation - Cutting 8 Ply or 4 Ply Mat

1. On back of mat, draw pencil lines for location of opening **Fig. 6**
2. Place your mat color-side down on a slip sheet (scrap matboard) which must be larger than the mat.
3. Align rail along outside of line
4. Hook cutter on to rail edge and align green scribe line with top pencil line **Fig. 7**
5. Pivot blade into mat until green light illuminates **Fig. 8**
6. Pull cutter along rail keeping green light lit, until the red scribe line (8-Ply) or the green scribe line (4-Ply) meets bottom pencil line **Fig. 9**
7. Pivot blade out of mat. Repeat remaining three sides **Fig. 10**

Anti Crawl Pin

Use this feature to secure cutting head in place while inserting the blade into the mat, which reduces overcuts in corners. For use with Logan board cutters: Compact, Intermediate and Simplex models only.

1. Before inserting blade into mat, press anti crawl pin **Fig. 8**
2. Pivot blade into mat until green light illuminates
3. Release anti crawl pin
4. Pull cutter to cut

Depth Adjustment

1. Fine adjustment can be made by turning slotted screw in base bottom **Fig. 11**
2. Turn clockwise to decrease depth, turn counterclockwise to increase depth

Battery Change (Tools needed: Flat Head Screwdriver)

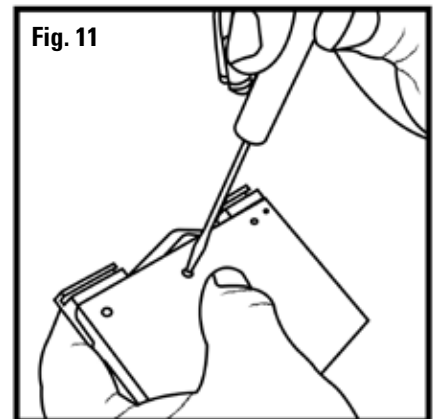
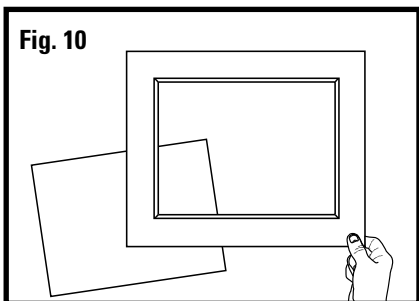
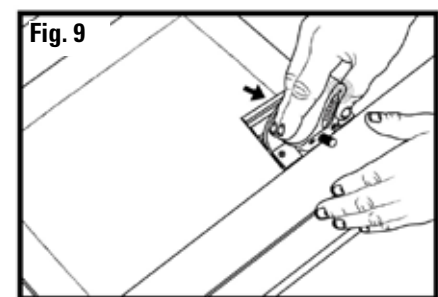
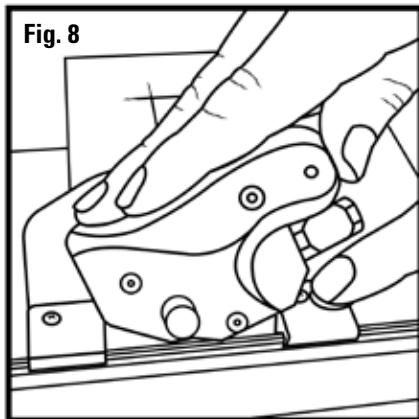
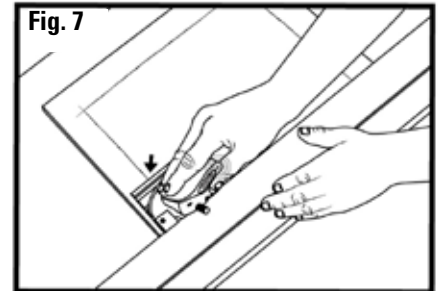
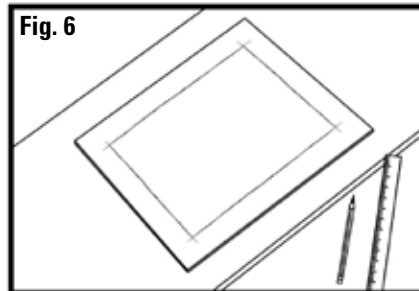
1. On back of cutter behind light, locate round battery cover with slot.
2. Using screwdriver, turn round cover clockwise 1/4 turn until loose
3. Remove battery cover
4. Remove and replace battery (CR1220 available from Logan)

Single Edge Blade (#271)

For best results cutting dense hard 8-Ply material, use single bevel edge blade #271.

Caution!! Mat Cutting Blades are Sharp

Use Logan replacement blade #270
Use Logan single bevel blade #271



TIPS

1. When cutting a 4-ply standard thickness board, use the green line only for starting and stopping on the marked lines
2. When cutting an 8 ply thick board, use the green line to start and the red line to stop on the marked lines.
3. Change blade very often, especially when using 8 ply board.
4. Change the slip sheet often for best results.
5. Adjust the blade depth to barely pass through the mat board being cut and only score slightly into the surface of the slip sheet.